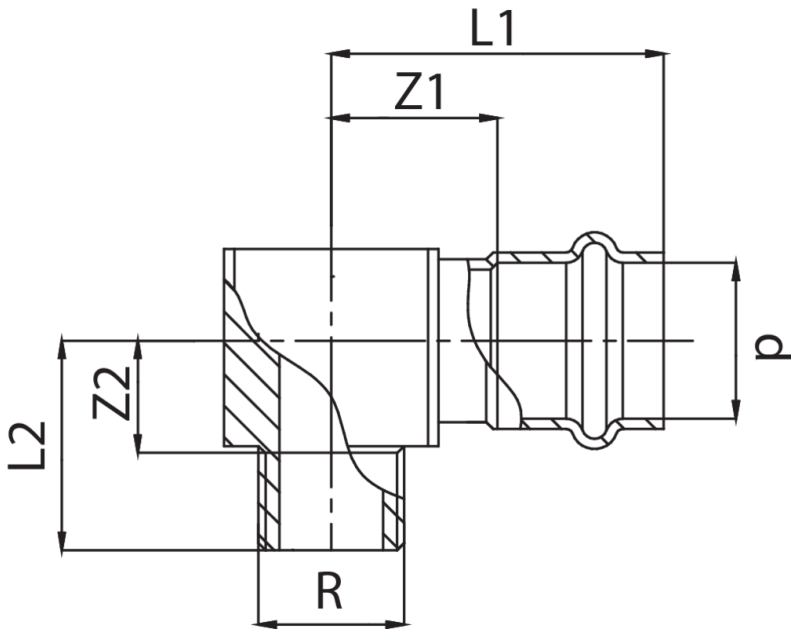




F/male thread elbow.



Technical specifications



D X R	BAG	MASTER BOX	CODE	L1	L2	Z1	Z2
15 x 3/8"	5	80	ZCF92QA38015000	43	24	21	12
15 x 1/2"	5	80	ZCF92QA12015000	44	28	22	13
18 x 1/2"	5	80	ZCF92QA12018000	48	28	25	13
18 x 3/4"	10	50	ZCF92QA34018000	51	30	28	13
22 x 3/4"	5	50	ZCF92QA34022000	50	33	26	16

Applications



HEATING



HVAC



COMPRESSED
AIR