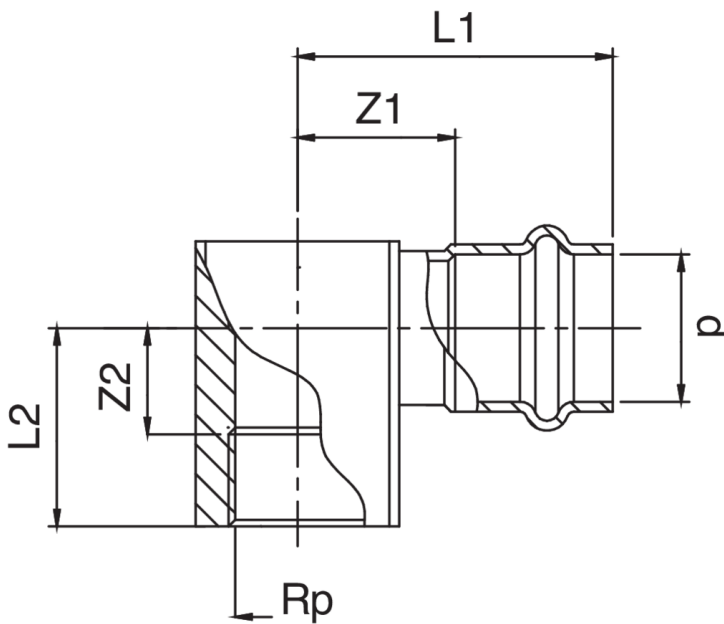


F/female thread elbow.



Technical specifications



D X RP	BAG	MASTER BOX	CODE	L1	L2	Z1	Z2
15 x 1/2"	5	80	ZCF90QA12015000	46	26	24	11
18 x 1/2"	5	40	ZCF90QA12018000	50	26	27	11
22 x 1/2"	5	25	ZCF90QA12022000	49	28	25	13
22 x 3/4"	5	25	ZCF90QA34022000	52	28	28	13
28 x 1/2"	10	25	ZCF90QA12028000	52	31	27	16

Applications



HEATING



HVAC



COMPRESSED
AIR