



FRABO

frabo
press
C-STEEL V
ZC0F90

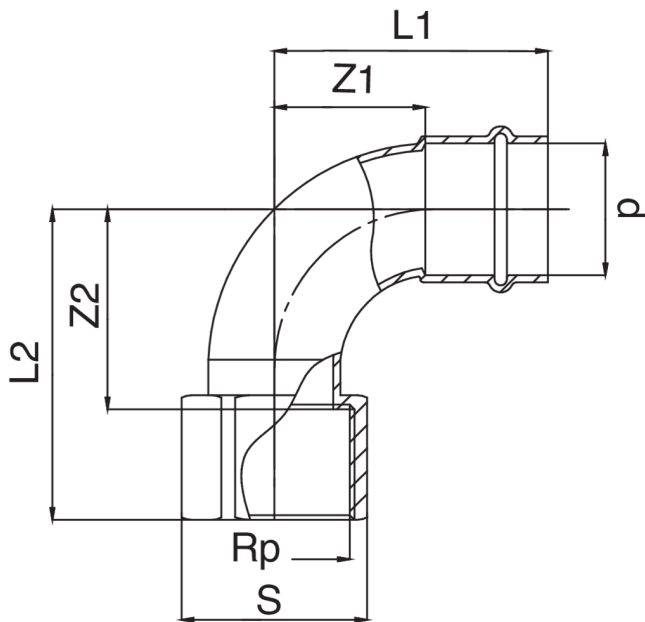
PATENTED



F/female thread elbow.



Technical specifications



| D X RP | BAG | MASTER BOX | CODE | L1 | L2 | S | Z1 | Z2 |
|------------|-----|------------|-----------------|-----|-----|----|----|----|
| 15 x 1/2" | 10 | 100 | ZC0F90A12015000 | 42 | 45 | 27 | 20 | 32 |
| 18 x 1/2" | 10 | 150 | ZC0F90A12018000 | 45 | 50 | 27 | 22 | 37 |
| 18 x 3/4" | 10 | 80 | ZC0F90A34018000 | 45 | 53 | 32 | 22 | 38 |
| 22 x 3/4" | 10 | 50 | ZC0F90A34022000 | 51 | 53 | 32 | 27 | 38 |
| 28 x 1" | 5 | 30 | ZC0F90B01028000 | 61 | 70 | 38 | 36 | 54 |
| 35 x 1" | 5 | 20 | ZC0F90B01035000 | 69 | 79 | 38 | 43 | 60 |
| 35 x 1"1/4 | 1 | 20 | ZC0F90B14035000 | 69 | 82 | 48 | 43 | 61 |
| 42 x 1"1/2 | 1 | 10 | ZC0F90B12042000 | 89 | 87 | 55 | 53 | 66 |
| 54 x 1"1/2 | 1 | 10 | ZC0F90B12054000 | 114 | 99 | 60 | 74 | 78 |
| 54 x 2" | 1 | 5 | ZC0F90C02054000 | 114 | 110 | 70 | 74 | 85 |

Applications



HEATING



HVAC



COMPRESSED
AIR