



FRABO

frabo
press
C-STEEL V
ZC0140

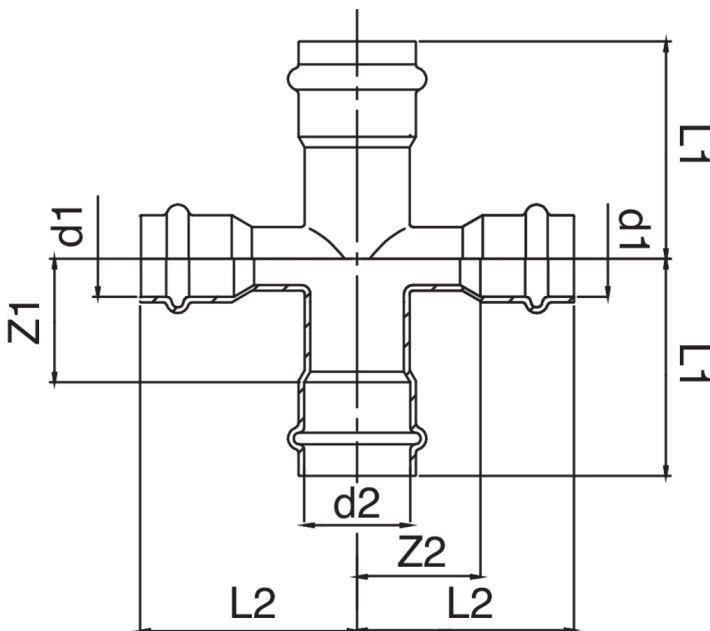
PATENTED



F/F/F/F cross.



Technical specifications



D1 X D2	BAG	MASTER BOX	CODE	L1	L2	Z1	Z2
12 x 12	5	50	ZC0140012012000	40	40	22	22
18 x 15	5	40	ZC0140018015000	44	46	22	23
22 x 15	5	30	ZC0140022015000	50	49	28	25
22 x 18	5	30	ZC0140022018000	51	49	28	25
28 x 15	5	30	ZC0140028015000	52	58	30	33
28 x 18	5	30	ZC0140028018000	59	58	36	33
28 x 22	5	30	ZC0140028022000	57	58	33	33
35 x 22	5	20	ZC0140035022000	61	58	37	32
42 x 22	5	10	ZC0140042022000	63	71	39	35
54 x 22	5	10	ZC0140054022000	71	82	47	42

Applications



HEATING



HVAC



COMPRESSED
AIR