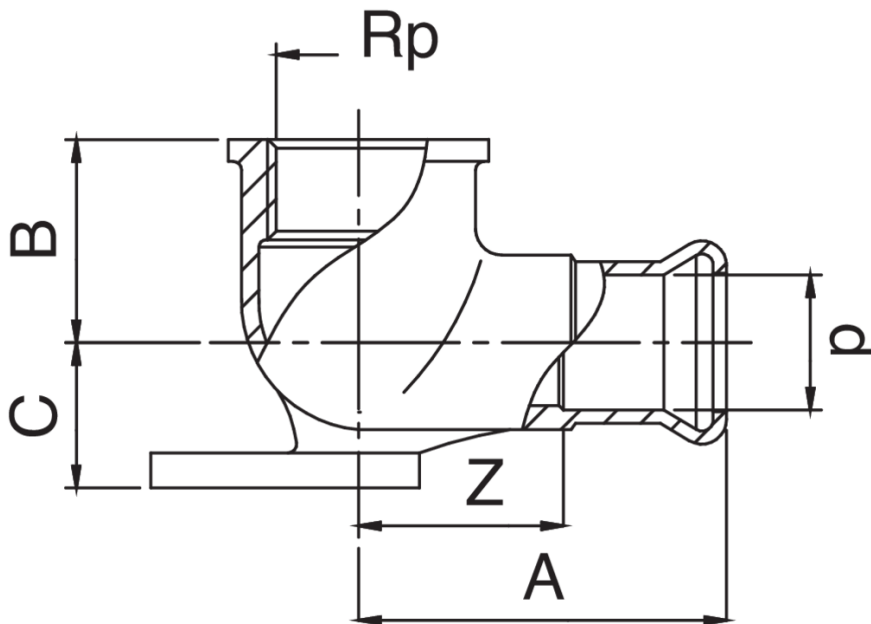




F/female thread elbow with wallplate.

## Technical specifications



D X RP	BAG	MASTER BOX	CODE	A	B	C	Z
15 x 1/2"	5	70	GMF472A12015000	46	31	12	26,5
18 x 1/2"	5	50	GMF472A12018000	47	32	13	27,5
22 x 3/4"	5	40	GMF472A34022000	52	35	16	29,5

# Applications



GAS



COMPRESSED  
AIR



INDUSTRIAL