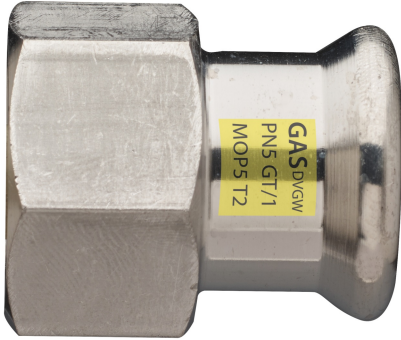
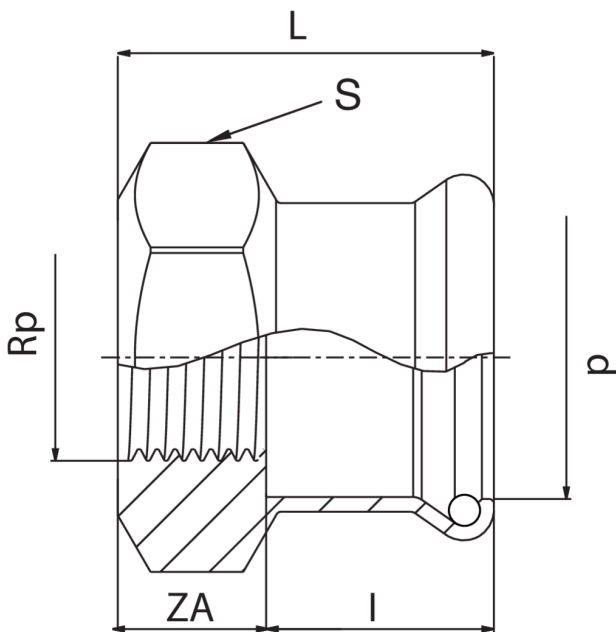


F/female thread adapter.



Technical specifications



D X RP	BAG	MASTER BOX	CODE	I	L	S	ZA
15 x 1/2"	10	50	GMF270A12015000	19	36	27	17
18 x 1/2"	10	40	GMF270A12018000	19	36	27	17
22 x 1/2"	10	100	GMF270A12022000	22	37	32	15
22 x 3/4"	10	100	GMF270A34022000	22	41	32	19
22 x 1"	5	50	GMF270B01022000	22	43	38	21
28 x 1"	5	50	GMF270B01028000	22	43	38	21
35 x 1"	5	20	GMF270B01035000	25	81	45	56
35 x 1"1/4	1	30	GMF270B14035000	25	72	50	47
42 x 1"1/2	1	20	GMF270B12042000	29	74	55	45
54 x 2"	1	10	GMF270C02054000	34	84	70	50

Applications



GAS



COMPRESSED
AIR



INDUSTRIAL