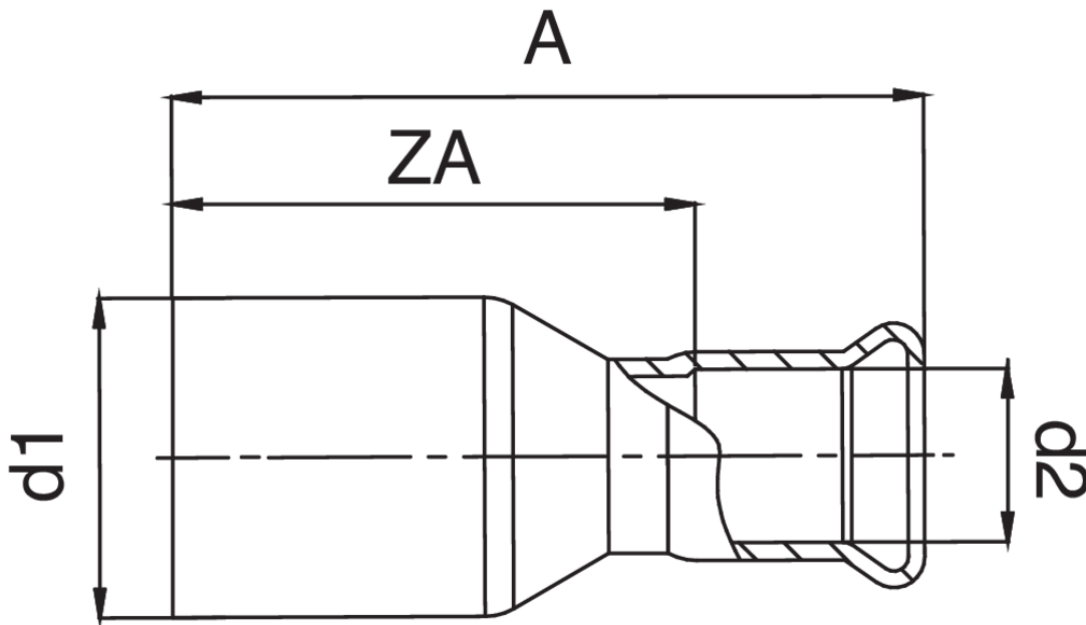




M/F reducer.

Technical specifications



D1 X D2	BAG	MASTER BOX	CODE	A	ZA
18 x 15	10	50	GM0243018015000	55	35,5
22 x 15	10	50	GM0243022015000	60	40,5
22 x 18	10	40	GM0243022018000	60	40,5
28 x 15	5	30	GM0243028015000	68	48,5
28 x 18	5	70	GM0243028018000	68	48,5
28 x 22	5	50	GM0243028022000	63	40,5
35 x 22	5	20	GM0243035022000	70	47,5
35 x 28	5	50	GM0243035028000	67	44,5
42 x 28	5	10	GM0243042028000	82	59,5
42 x 35	5	35	GM0243042035000	76	50,5
54 x 28	5	20	GM0243054028000	96	73,5
54 x 35	1	5	GM0243054035000	94	68,5
54 x 42	1	15	GM0243054042000	95	65,5

Applications



GAS



COMPRESSED
AIR



INDUSTRIAL