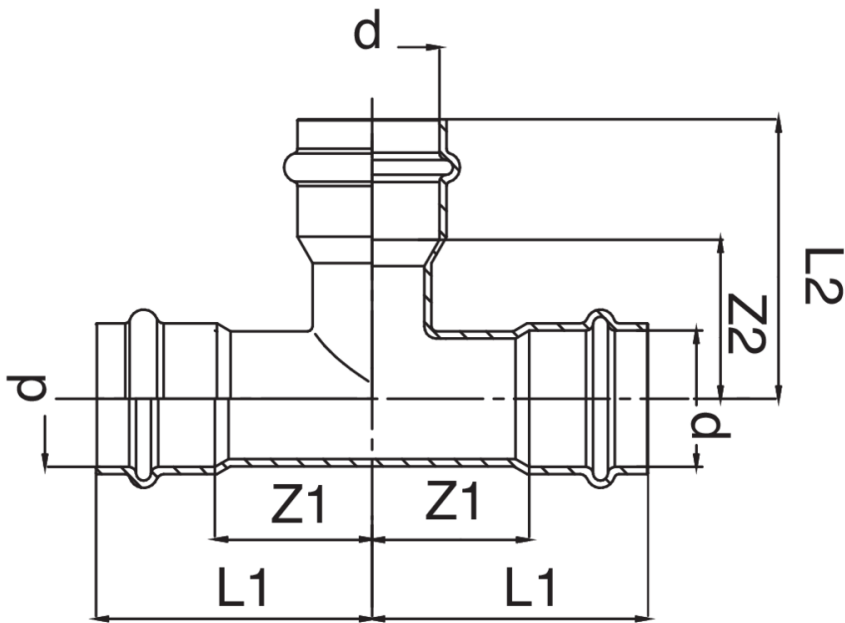


F/F/F tee.

Technical specifications



D	BAG	MASTER BOX	CODE	L1	L2	Z1	Z2
15	5	40	GX0130015015015	42	44	20	22
18	5	50	GX0130018018018	46	49	23	26
22	5	30	GX0130022022022	49	53	25	29
28	5	20	GX0130028028028	56	57	31	34
35	1	15	GX0130035035035	66	63	42	37
42	1	10	GX0130042042042	78	76	44	40
54	1	5	GX0130054054054	82	92	42	51

Applications



GAS



COMPRESSED
AIR



INDUSTRIAL