



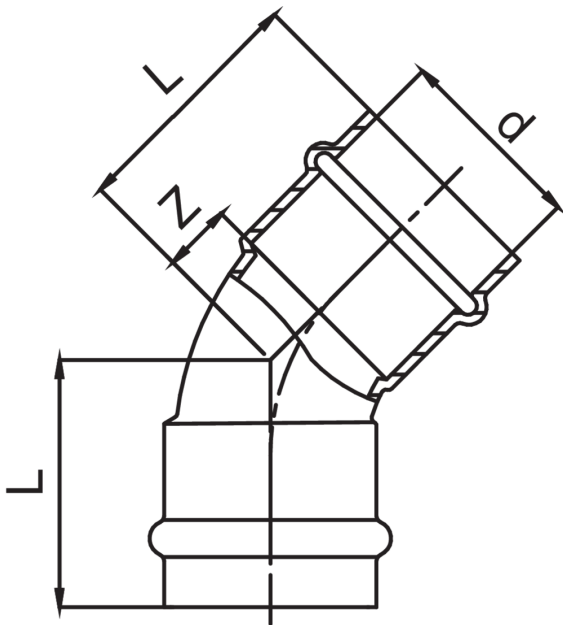
frabo

frabo
press
316 GAS V
GX0041



F/F 45° elbow.

Technical specifications



D	BAG	MASTER BOX	CODE	L	Z
15	10	100	GX0041015015000	29	7
18	5	30	GX0041018018000	46	23
22	5	50	GX0041022022000	34	10
28	5	40	GX0041028028000	38	13
35	5	40	GX0041035035000	43	17
42	1	20	GX0041042042000	53	17
54	1	5	GX0041054054000	69	29

Applications



GAS



COMPRESSED
AIR



INDUSTRIAL