



FRABO

frabo
press
316 M
MXF90L

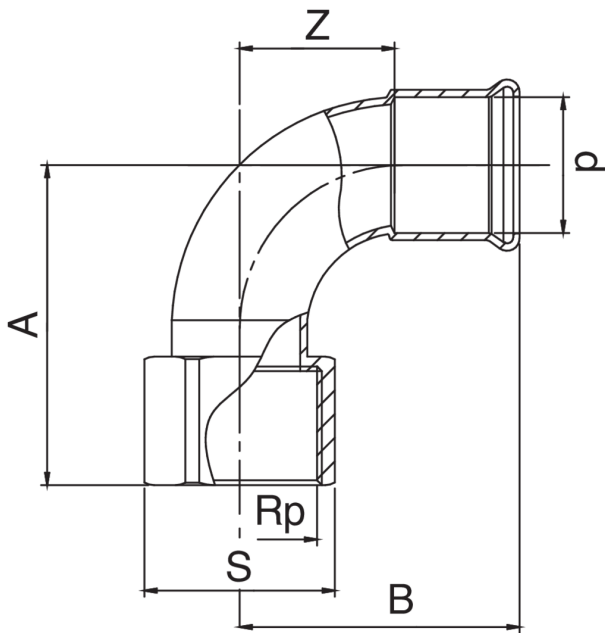
PATENTED



F/female thread 90° elbow.



Technical specifications



D X RP	BAG	MASTER BOX	CODE	A	B	S	Z
15 x 1/2"	5	30	MXF90LA12015000	42	45	24	23,5
18 x 1/2"	5	30	MXF90LA12018000	45	49	24	26,5
22 x 1/2"	5	30	MXF90LA12022000	45	49	24	26,5
22 x 3/4"	5	50	MXF90LA34022000	51	54	30	30,5
28 x 1"	5	15	MXF90LB01028000	61	63	36	38,5
35 x 1"1/4	1	10	MXF90LB14035000	69	74	50	48,5

Applications



DRINKING
WATER



HEATING



HVAC



COMPRESSED
AIR



FIREFIGHTING



MARINE



STEAM



SOLAR



INDUSTRIAL