



FRABO

frabo
press
316 M
MX0243

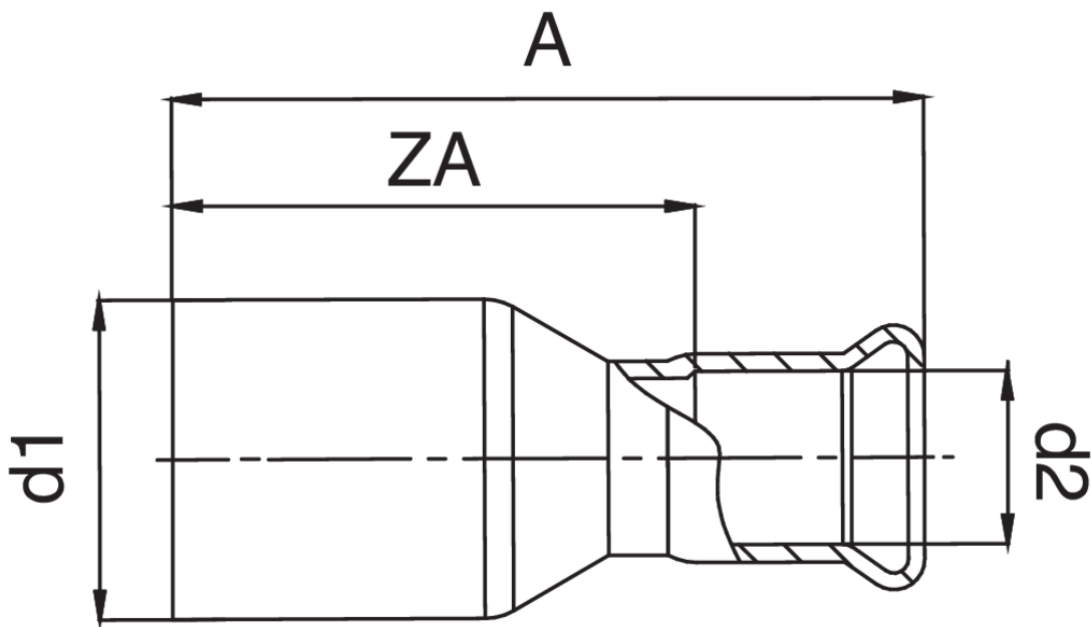
PATENTED



M/F reducer.



Technical specifications



D1 X D2	BAG	MASTER BOX	CODE	A	ZA
18 x 15	10	100	MX0243018015000	55	35,5
22 x 15	10	150	MX0243022015000	60	40,5
22 x 18	10	40	MX0243022018000	60	40,5
28 x 15	5	30	MX0243028015000	68	48,5
28 x 18	5	70	MX0243028018000	68	48,5
28 x 22	5	50	MX0243028022000	63	40,5
35 x 18	5	20	MX0243035018000	77	57,5
35 x 22	5	50	MX0243035022000	70	47,5
35 x 28	5	50	MX0243035028000	67	44,5
42 x 18	5	50	MX0243042018000	86	66,5
42 x 22	5	50	MX0243042022000	86	63,5
42 x 28	5	30	MX0243042028000	82	59,5
42 x 35	5	35	MX0243042035000	76	50,5
54 x 22	5	20	MX0243054022000	99	76,5
54 x 28	5	20	MX0243054028000	96	73,5
54 x 35	1	15	MX0243054035000	94	68,5
54 x 42	1	15	MX0243054042000	95	65,5

Applications



DRINKING
WATER



HEATING



HVAC



COMPRESSED
AIR



FIREFIGHTING



MARINE



STEAM



SOLAR



INDUSTRIAL