



**FRABO**

**frabo**  
**press**  
316 M  
**MX0041**

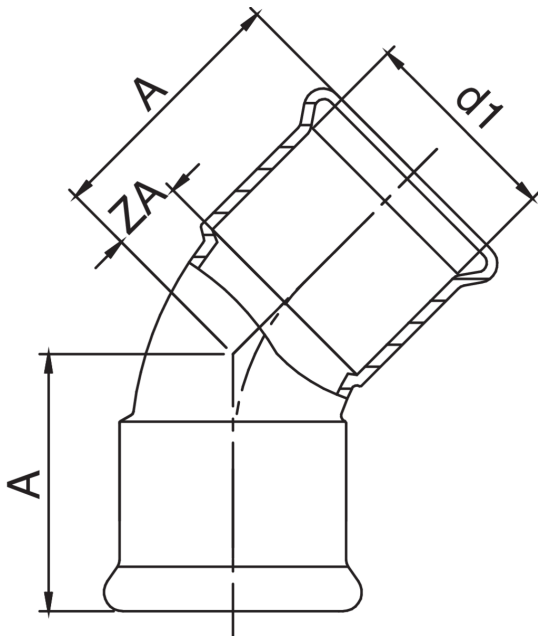
**PATENTED**



F/F 45° elbow.



## Technical specifications



D1	BAG	MASTER BOX	CODE	A	ZA
15	10	100	MX0041015015000	29	9,5
18	5	30	MX0041018018000	31	11,5
22	5	50	MX0041022022000	34	11,5
28	5	40	MX0041028028000	38	15,5
35	5	40	MX0041035035000	43	17,5
42	1	20	MX0041042042000	53	23,5
54	1	5	MX0041054054000	69	34,5

## Applications



DRINKING  
WATER



HEATING



HVAC



COMPRESSED  
AIR



FIREFIGHTING



MARINE



STEAM



SOLAR



INDUSTRIAL