



**FRABO**

**frabo**  
**press**  
316 M  
**MX0002**

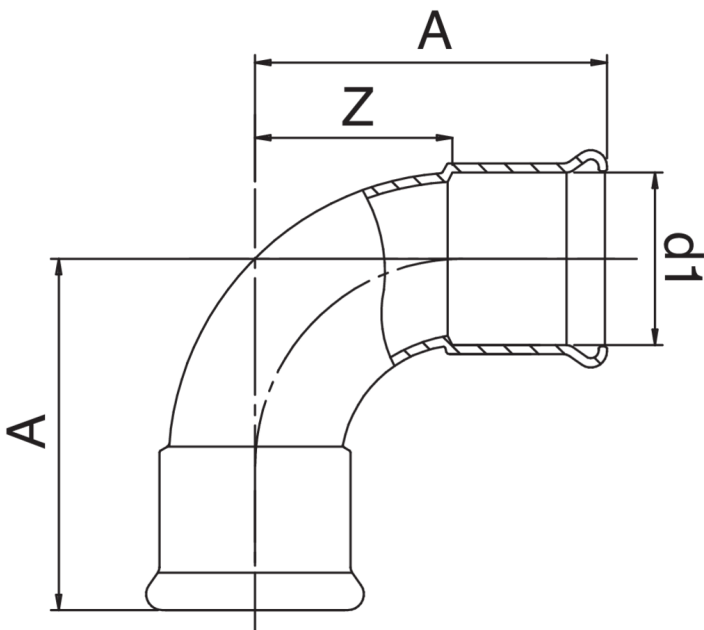
**PATENTED**



F/F 90° elbow.



## Technical specifications



D1	BAG	MASTER BOX	CODE	A	Z
15	10	100	MX0002015015000	39	19,5
18	10	100	MX0002018018000	43	23,5
22	5	50	MX0002022022000	48	25,5
28	5	30	MX0002028028000	57	34,5
35	5	25	MX0002035035000	68	42,5
42	1	10	MX0002042042000	83	53,5
54	1	7	MX0002054054000	102	67,5

## Applications



DRINKING  
WATER



HEATING



HVAC



COMPRESSED  
AIR



FIREFIGHTING



MARINE



STEAM



SOLAR



INDUSTRIAL