



**FRABO**

**frabo**  
**press**  
316 V  
**ZXF90L**

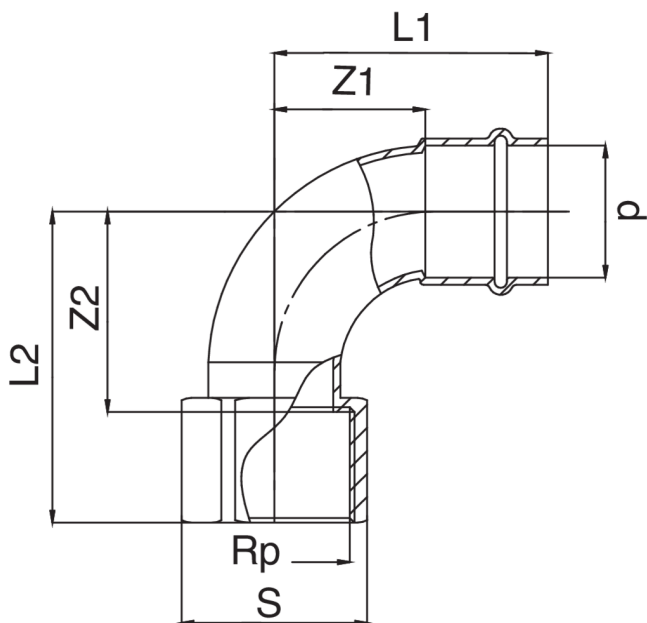
**PATENTED**



F/female thread 90° elbow.



## Technical specifications



| D X RP     | BAG | MASTER BOX | CODE            | L1 | L2 | S  | Z1 | Z2 |
|------------|-----|------------|-----------------|----|----|----|----|----|
| 15 x 1/2"  | 5   | 30         | ZXF90LA12015000 | 58 | 55 | 24 | 31 | 26 |
| 18 x 1/2"  | 5   | 30         | ZXF90LA12018000 | 61 | 63 | 24 | 36 | 47 |
| 22 x 1/2"  | 5   | 30         | ZXF90LA12022000 | 61 | 63 | 24 | 37 | 50 |
| 22 x 3/4"  | 5   | 50         | ZXF90LA34022000 | 73 | 67 | 30 | 40 | 48 |
| 28 x 1"    | 5   | 15         | ZXF90LB01028000 | 82 | 80 | 36 | 50 | 61 |
| 35 x 1"1/4 | 1   | 10         | ZXF90LB14035000 | 92 | 90 | 50 | 66 | 66 |

# Applications



DRINKING WATER



HEATING



HVAC



COMPRESSED AIR



FIREFIGHTING



MARINE



STEAM



SOLAR



INDUSTRIAL