



FRABO

frabo
press
CHROME
RK9002

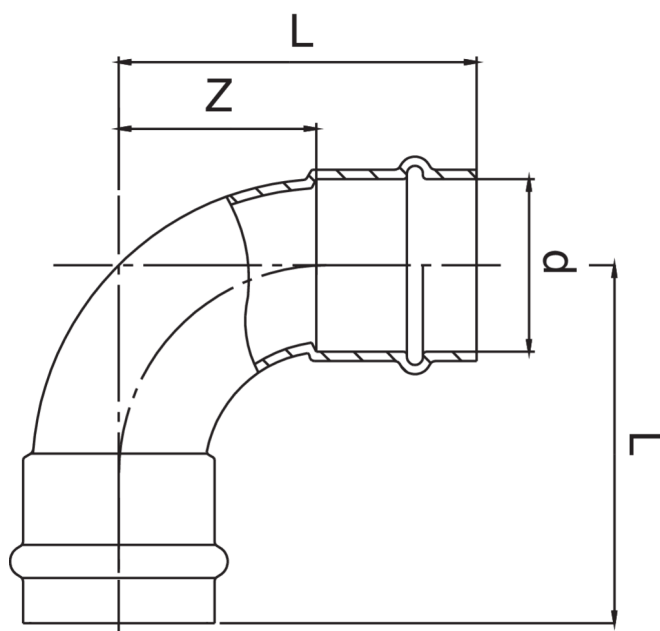
PATENTED



Copper F/F 90° elbow.



Technical specifications



| D | BAG | MASTER BOX | CODE | L | Z |
|----|-----|------------|-----------------|----|----|
| 12 | 10 | 250 | RK9002012012000 | 33 | 15 |
| 15 | 10 | 150 | RK9002015015000 | 40 | 18 |
| 18 | 10 | 100 | RK9002018018000 | 45 | 22 |
| 22 | 10 | 80 | RK9002022022000 | 51 | 27 |

Applications



HEATING



HVAC