



FRABO

frabo
press
CHROME
RK9001

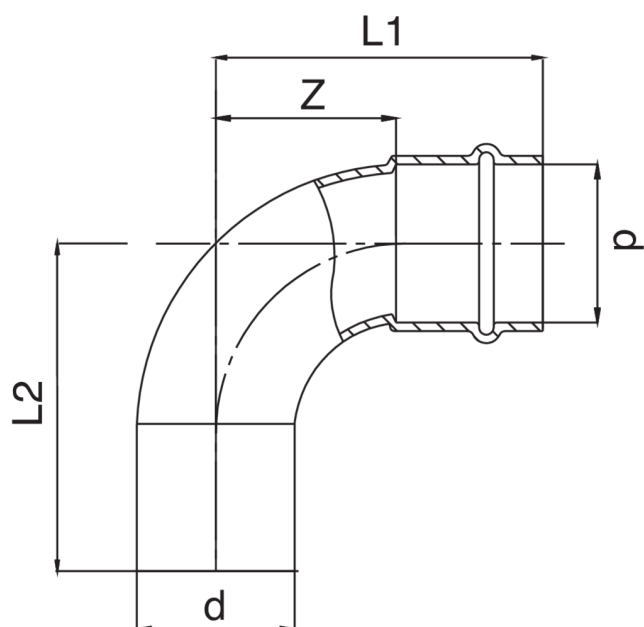
PATENTED



Copper M/F 90° elbow.



Technical specifications



D	BAG	MASTER BOX	CODE	L1	L2	Z
12	10	300	RK9001012012000	33	34	15
15	10	200	RK9001015015000	40	42	18
18	10	150	RK9001018018000	45	47	22
22	10	80	RK9001022022000	51	52	27

Applications



HEATING



HVAC