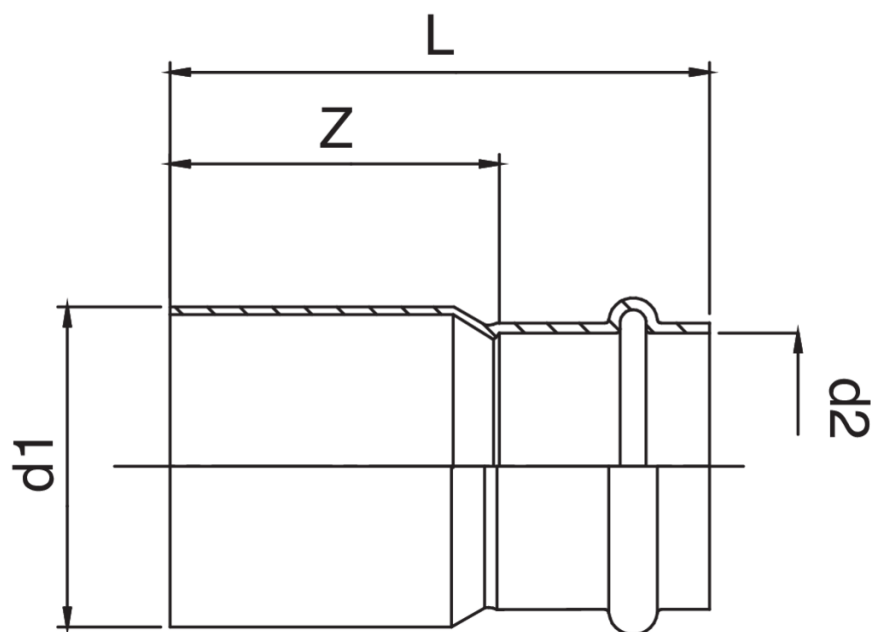


Copper M/F reducer.



## Technical specifications



D1 X D2	BAG	MASTER BOX	CODE	L	Z
18 x 15	10	200	HT9243018015000	50	28
22 x 18	10	150	HT9243022018000	52	29
28 x 22	10	100	HT9243028022000	58	34

# Applications



SOLAR



STEAM



COMPRESSED AIR



INDUSTRIAL