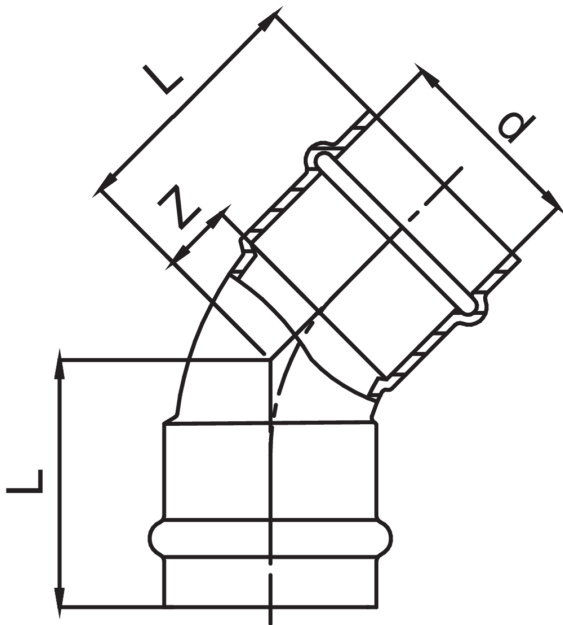




Copper F/F 45° elbow.

Technical specifications



D	BAG	MASTER BOX	CODE	L	Z
15	10	200	HT9041015015000	29	7
18	10	150	HT9041018018000	31	8
22	10	80	HT9041022022000	34	10
28	5	60	HT9041028028000	38	13

Applications



SOLAR



STEAM



COMPRESSED AIR



INDUSTRIAL