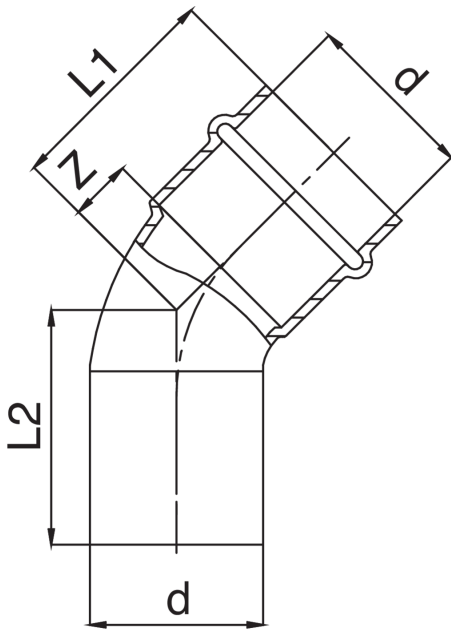


Copper M/F 45° elbow.



Technical specifications



D	BAG	MASTER BOX	CODE	L1	L2	Z
15	10	200	HT9040015015000	29	30	7
18	10	150	HT9040018018000	31	32	8
22	10	100	HT9040022022000	34	36	10
28	5	60	HT9040028028000	38	40	13

Applications



SOLAR



STEAM



COMPRESSED
AIR



INDUSTRIAL