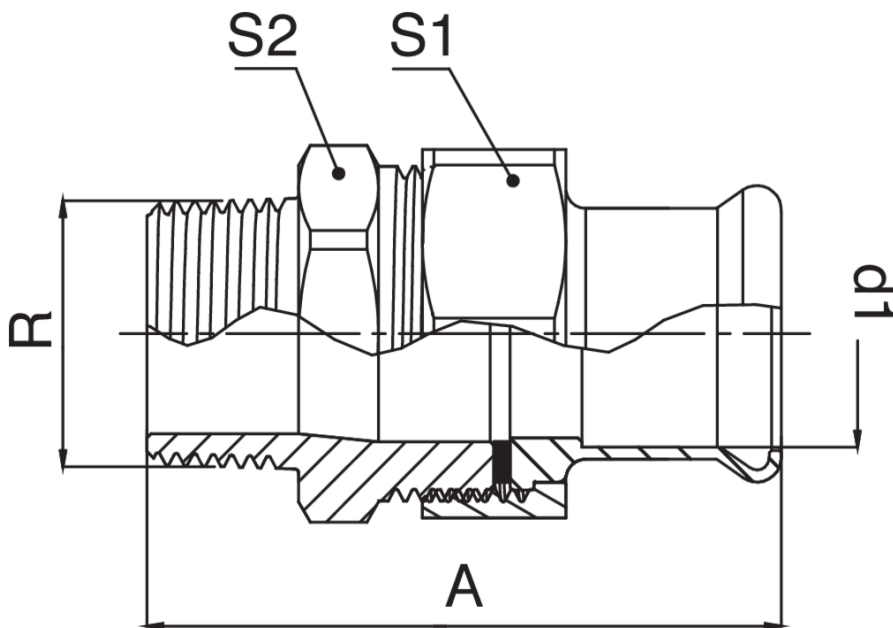


Bronze F/male thread flat seat joint.

Technical specifications



D1 x R	BAG	MASTER BOX	CODE	A	S1	S2
12 x 1/2"	5	50	QM8341A12012000	65	24	25
15 x 1/2"	5	50	QM8341A12015000	70	24	27
15 x 3/4"	5	50	QM8341A34015000	65	30	30
18 x 1/2"	5	50	QM8341A12018000	70	30	30
18 x 3/4"	5	50	QM8341A34018000	75	30	30
22 x 3/4"	5	50	QM8341A34022000	82	30	30
22 x 1"	5	30	QM8341B01022000	77	37	34
28 x 1"	5	30	QM8341B01028000	77	46	45
35 x 1"1/4	1	20	QM8341B14035000	85	52	50
42 x 1"1/2	1	10	QM8341B12042000	95	64	60
54 x 2"	1	8	QM8341C02054000	100	85	75

Applications



COMPRESSED
AIR



GAS



INDUSTRIAL