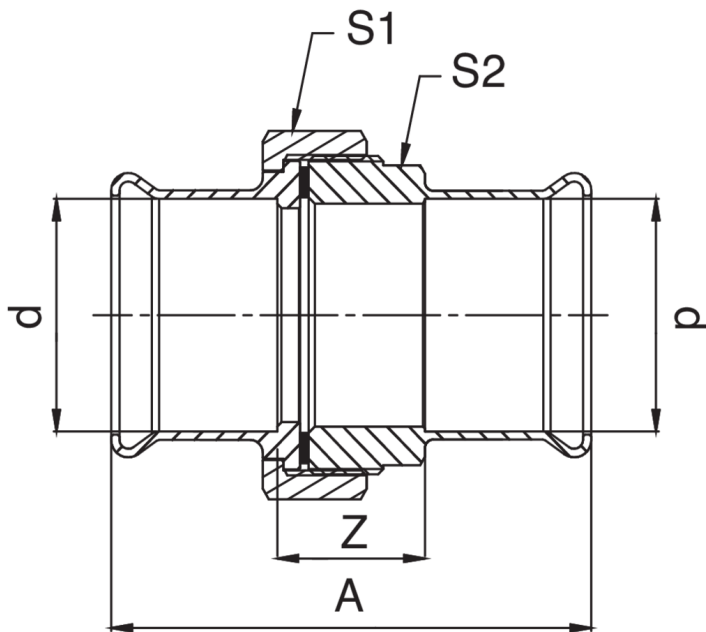


Bronze F/F flat seat joint.

Technical specifications



D	BAG	MASTER BOX	CODE	A	S1	S2	Z
15	10	100	QM8340015015000	85	24	25	45
18	10	100	QM8340018018000	95	30	30	55
22	5	40	QM8340022022000	97	37	34	51
28	5	30	QM8340028028000	91	46	45	45
35	5	20	QM8340035035000	120	52	50	68
42	1	10	QM8340042042000	134	64	60	74
54	1	8	QM8340054054000	144	85	75	74

Applications



COMPRESSED
AIR



GAS



INDUSTRIAL