



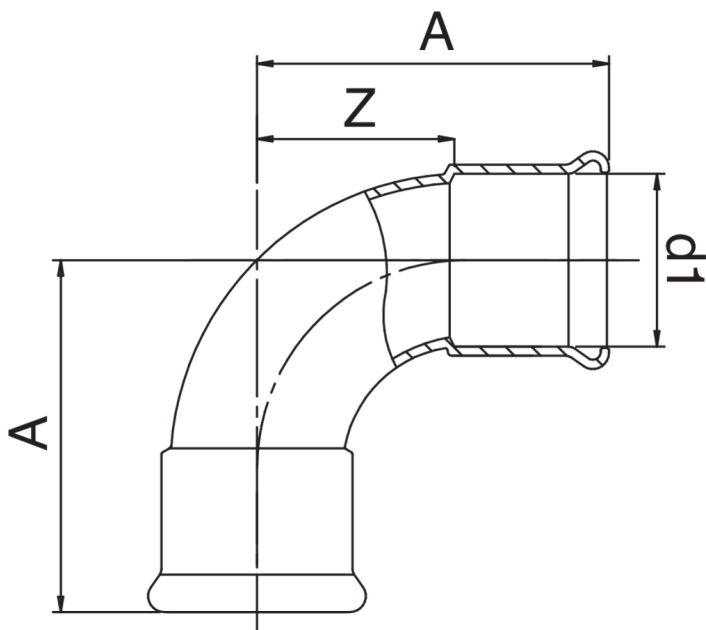
FRABO

frabo
press
GAS M
QM9002



Copper F/F 90° elbow.

Technical specifications



D1	BAG	MASTER BOX	CODE	A	Z
12	10	250	QM9002012012000	31	13
15	10	150	QM9002015015000	36	16
18	10	100	QM9002018018000	41	21
22	10	60	QM9002022022000	46	23
28	5	40	QM9002028028000	57	34
35	5	20	QM9002035035000	62	36
42	1	10	QM9002042042000	76	46
54	1	7	QM9002054054000	94	59

Applications



COMPRESSED
AIR



GAS



INDUSTRIAL