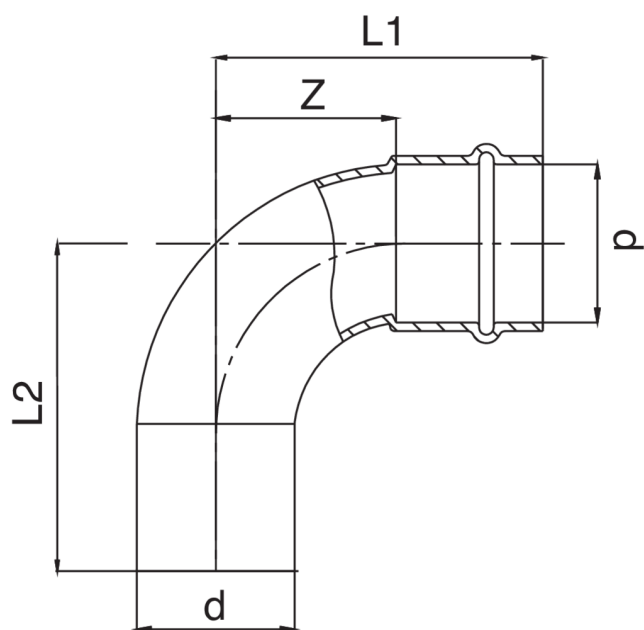


Copper M/F 90° elbow.

Technical specifications



D	BAG	MASTER BOX	CODE	L1	L2	Z
12	10	300	PG9001012012000	33	34	15
15	10	200	PG9001015015000	40	42	18
18	10	150	PG9001018018000	45	47	22
22	10	80	PG9001022022000	51	52	27
28	5	40	PG9001028028000	59	61	34
35	5	30	PG9001035035000	68	70	42
42	1	10	PG9001042042000	87	88	51
54	1	7	PG9001054054000	105	107	65

Applications



GAS



INDUSTRIAL



COMPRESSED
AIR