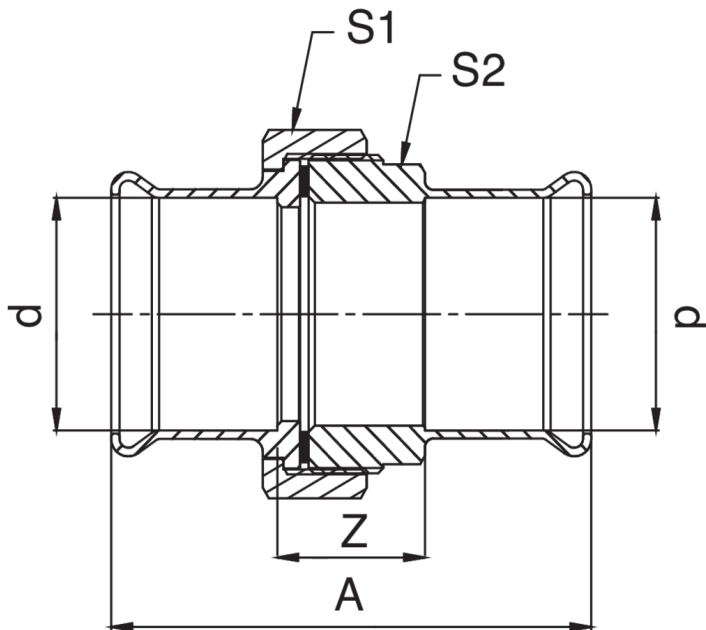


Bronze F/F flat seat joint.



Technical specifications



D	BAG	MASTER BOX	CODE	A	S1	S2	Z
12	10	50	ZM8340012012000	60	30	19	-
15	10	100	ZM8340015015000	70	30	22	-
18	10	100	ZM8340018018000	95	30	30	55
22	5	40	ZM8340022022000	97	37	34	51
28	5	30	ZM8340028028000	91	46	45	45
35	5	20	ZM8340035035000	120	52	50	68
42	1	10	ZM8340042042000	134	64	60	74
54	1	8	ZM8340054054000	144	85	75	74

Applications



DRINKING WATER



HEATING



HVAC



COMPRESSED AIR



FIREFIGHTING