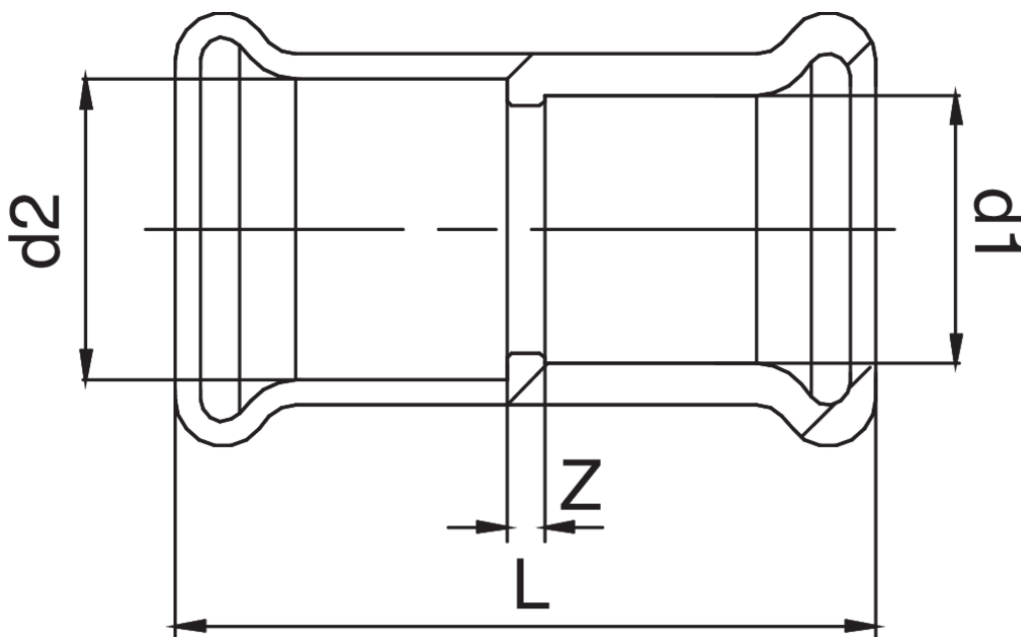


Bronze F/F adapter.



Technical specifications



D1 X D2	BAG	MASTER BOX	CODE	L	Z
15 x 16*	10	150	ZM8245015016000	42,3	2,3

* Ø16 must be pressed with Ø18 jaws.

Applications



DRINKING
WATER



HEATING



HVAC



COMPRESSED
AIR



FIREFIGHTING