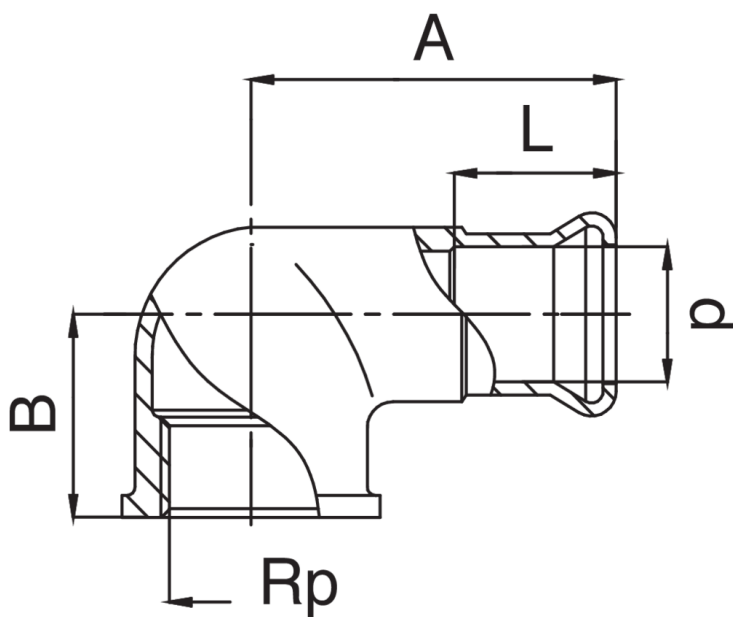




Bronze F/female thread 90° elbow.



Technical specifications



D X RP	BAG	MASTER BOX	CODE	A	B	L
12 x 3/8"	10	150	ZM8090A38012000	33	18	15,5
12 x 1/2"	10	150	ZM8090A12012000	40	22	15,5
15 x 3/8"	10	100	ZM8090A38015000	35	19	18,5
15 x 1/2"	10	100	ZM8090A12015000	38	23	18,5
15 x 3/4"	10	70	ZM8090A34015000	41	24	18,5
18 x 1/2"	10	100	ZM8090A12018000	38	23	18,5
18 x 3/4"	5	70	ZM8090A34018000	41	24	18,5
22 x 1/2"	10	60	ZM8090A12022000	41	25	21,5
22 x 3/4"	5	60	ZM8090A34022000	44	29,5	21,5
22 x 1"	5	40	ZM8090B01022000	47	32	21,5
28 x 1"	5	40	ZM8090B01028000	52	32	22
35 x 1"1/4	1	20	ZM8090B14035000	60	40	24,5
42 x 1"1/2	1	20	ZM8090B12042000	66	41	28,5
54 x 2"	1	8	ZM8090C02054000	77	55	33,5

Applications



DRINKING
WATER



HEATING



HVAC



COMPRESSED
AIR



FIREFIGHTING