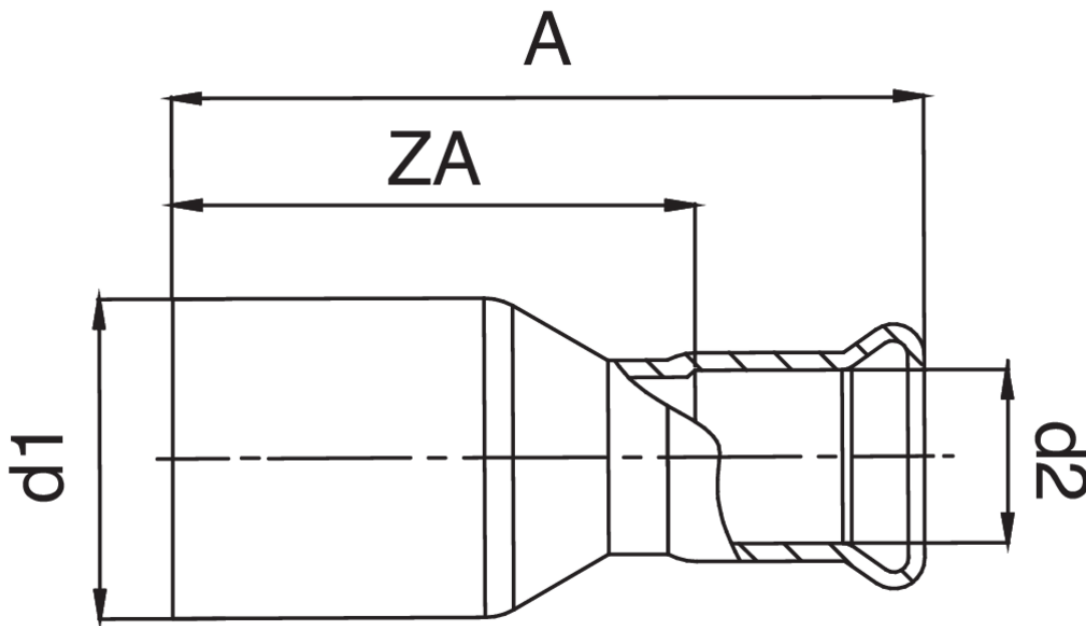


Copper M/F reducer.



Technical specifications



D1 X D2	BAG	MASTER BOX	CODE	A	ZA
15 x 12	10	300	ZM9243015012000	45	24
18 x 12	10	300	ZM9243018012000	46	24
18 x 15	10	200	ZM9243018015000	51	24
22 x 15	10	150	ZM9243022015000	50	25
22 x 18	10	150	ZM9243022018000	50	25
28 x 15	10	100	ZM9243028015000	55	28
28 x 18	10	100	ZM9243028018000	54	28
28 x 22	10	100	ZM9243028022000	53	28
35 x 22	10	60	ZM9243035022000	60	31
35 x 28	10	50	ZM9243035028000	60	31
42 x 22	5	50	ZM9243042022000	67	35
42 x 28	5	40	ZM9243042028000	67	35
42 x 35	5	40	ZM9243042035000	66	35
54 x 28	5	20	ZM9243054028000	80	40
54 x 35	5	40	ZM9243054035000	79	40
54 x 42	5	20	ZM9243054042000	77	40
66,7 x 28	1	15	ZM9243067028000	-	-
66,7 x 35	1	16	ZM9243067035000	-	-
66,7 x 42	1	15	ZM9243067042000	-	-
66,7 x 54	1	15	ZM9243067054000	-	-
76,1 x 35	1	10	ZM9243076035000	96	46
76,1 x 42	1	10	ZM9243076042000	98	47
76,1 x 54	1	5	ZM9243076054000	107	53
108 x 42	1	8	ZM9243108042000	128	73
108 x 54	1	8	ZM9243108054000	129	74

Applications



DRINKING
WATER



HEATING



HVAC



COMPRESSED
AIR



FIREFIGHTING