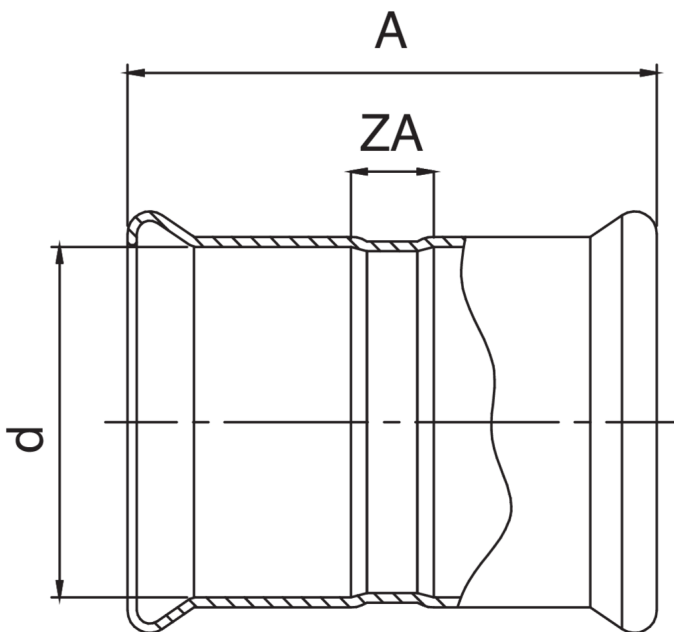


Copper F/F coupling.



## Technical specifications



D	BAG	MASTER BOX	CODE	A	ZA
12	10	300	ZM9270012012000	40	4
15	10	200	ZM9270015015000	50	10
18	10	150	ZM9270018018000	45	5
22	10	100	ZM9270022022000	48	2
28	10	60	ZM9270028028000	50	4
35	5	40	ZM9270035035000	56	4
42	5	25	ZM9270042042000	75	15
54	1	15	ZM9270054054000	86	16

# Applications



DRINKING WATER



HEATING



HVAC



COMPRESSED AIR



FIREFIGHTING