

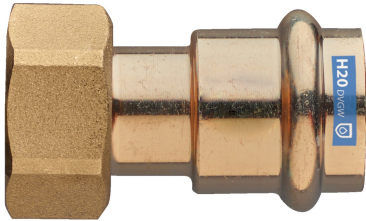


FRABO

frabo
press
V

RZ8359

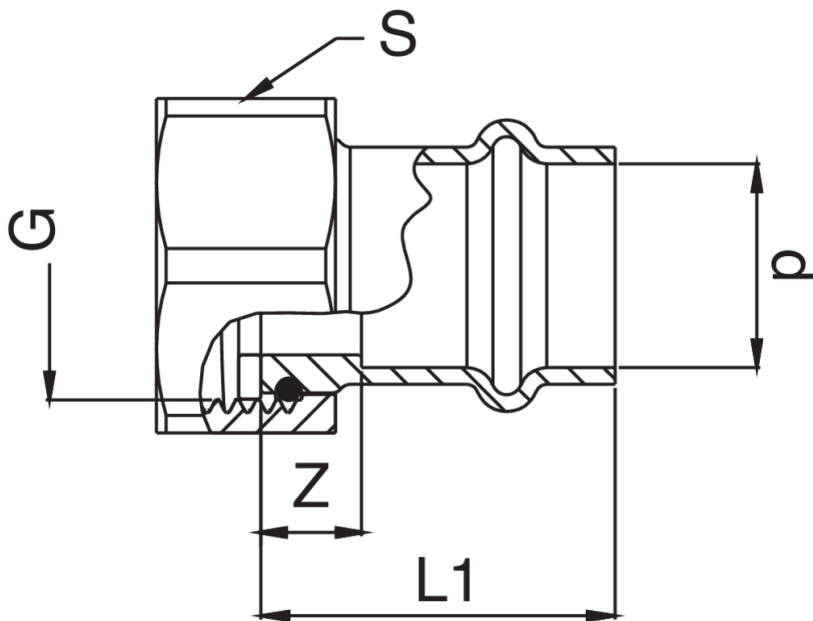
PATENTED



Bronze valve connector with a swivel nut in brass.



Technical specifications



| D X G | BAG | MASTER BOX | CODE | L1 | S | Z |
|------------|-----|------------|-----------------|----|----|----|
| 12 x 3/8" | 10 | 150 | RZ8359A38012000 | 40 | 20 | 18 |
| 12 x 1/2" | 10 | 150 | RZ8359A12012000 | 30 | 24 | 12 |
| 12 x 3/4" | 10 | 100 | RZ8359A34012000 | 25 | 30 | 7 |
| 14 x 3/8" | 10 | 100 | RZ8359A38014000 | 43 | 20 | 21 |
| 14 x 1/2" | 10 | 100 | RZ8359A12014000 | 31 | 24 | 9 |
| 14 x 3/4" | 10 | 150 | RZ8359A34014000 | 29 | 30 | 7 |
| 15 x 1/2" | 10 | 100 | RZ8359A12015000 | 44 | 24 | 22 |
| 15 x 3/4" | 10 | 150 | RZ8359A34015000 | 29 | 30 | 7 |
| 16 x 1/2" | 10 | 100 | RZ8359A12016000 | 44 | 24 | 22 |
| 16 x 3/4" | 10 | 100 | RZ8359A34016000 | 32 | 30 | 10 |
| 18 x 3/4" | 10 | 70 | RZ8359A34018000 | 32 | 30 | 9 |
| 18 x 1" | 10 | 100 | RZ8359018B01000 | 33 | 37 | 10 |
| 22 x 3/4" | 10 | 80 | RZ8359022A34000 | 46 | 30 | 22 |
| 22 x 1" | 10 | 100 | RZ8359022B01000 | 38 | 37 | 14 |
| 28 x 1"1/4 | 5 | 50 | RZ8359B14028000 | 34 | 46 | 9 |
| 28 x 1"1/2 | 5 | 30 | RZ8359028B12000 | 34 | 52 | 9 |
| 35 x 2" | 5 | 20 | RZ8359035C02000 | 34 | 64 | 8 |
| 42 x 2" | 5 | 20 | RZ8359042C02000 | 48 | 64 | 12 |

Applications



DRINKING
WATER



HEATING



HVAC



COMPRESSED
AIR



FIREFIGHTING