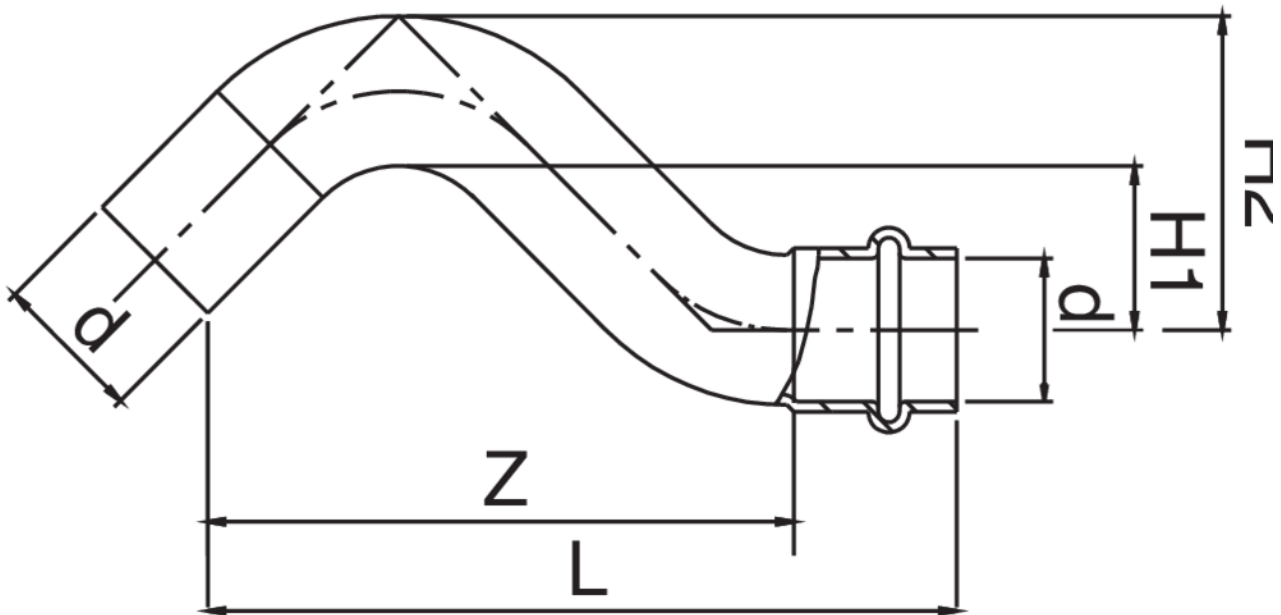




Copper M/F partial crossover.



Technical specifications



D	BAG	MASTER BOX	CODE	L	H1	H2	Z
12	10	200	RZ9086012012000	112	20	32	96
15	10	70	RZ9086015015000	119	20	35	98
18	10	70	RZ9086018018000	137	20	38	114
22	5	25	RZ9086022022000	160	30	52	136

Applications



DRINKING
WATER



HEATING



HVAC



COMPRESSED
AIR



FIREFIGHTING

