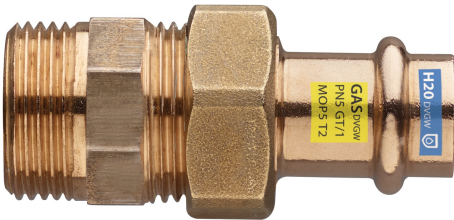
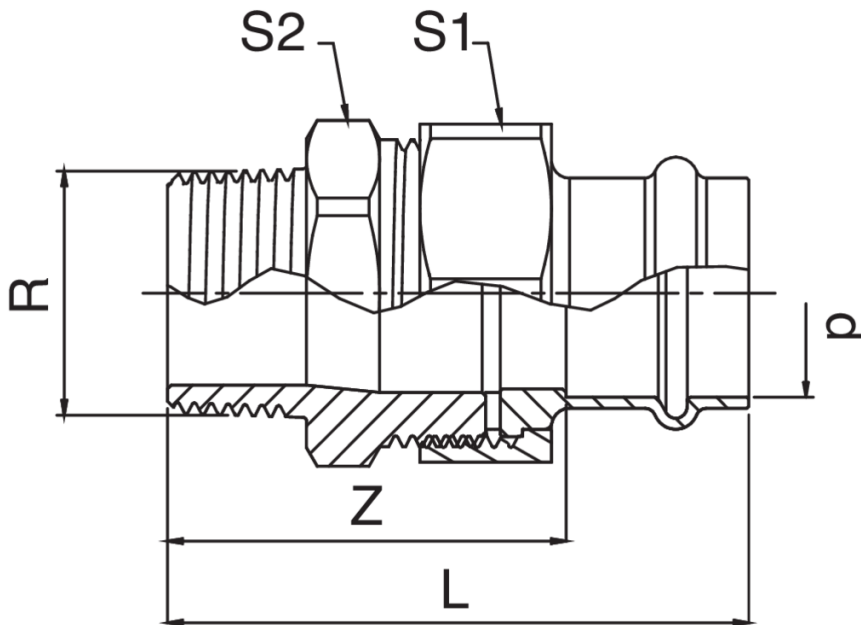


Bronze F/male thread flat seat joint.



## Technical specifications



<b>D X R</b>	<b>BAG</b>	<b>MASTER BOX</b>	<b>CODE</b>	<b>L</b>	<b>S1</b>	<b>S2</b>	<b>Z</b>
12 x 3/8"	10	150	RS8341A38012000	63	25	25	45
12 x 1/2"	5	80	RS8341A12012000	61	30	30	43
15 x 1/2"	5	60	RS8341A12015000	66	30	30	44
15 x 3/4"	5	50	RS8341A34015000	69	30	30	47
18 x 1/2"	5	50	RS8341A12018000	69	30	30	46
18 x 3/4"	5	50	RS8341A34018000	72	30	30	49
22 x 1/2"	5	30	RS8341A12022000	83	30	30	59
22 x 3/4"	5	50	RS8341A34022000	86	30	30	62
22 x 1"	5	40	RS8341B01022000	81	37	35	57
28 x 3/4"	5	50	RS8341A34028000	81	30	30	56
28 x 1"	5	20	RS8341B01028000	83	46	45	58
35 x 1"1/4	1	20	RS8341B14035000	88	52	50	62
42 x 1"1/2	1	10	RS8341B12042000	98	64	60	62
54 x 2"	1	8	RS8341C02054000	106	85	75	66

## Applications



DRINKING  
WATER



HEATING



HVAC



GAS



COMPRESSED  
AIR



FIREFIGHTING