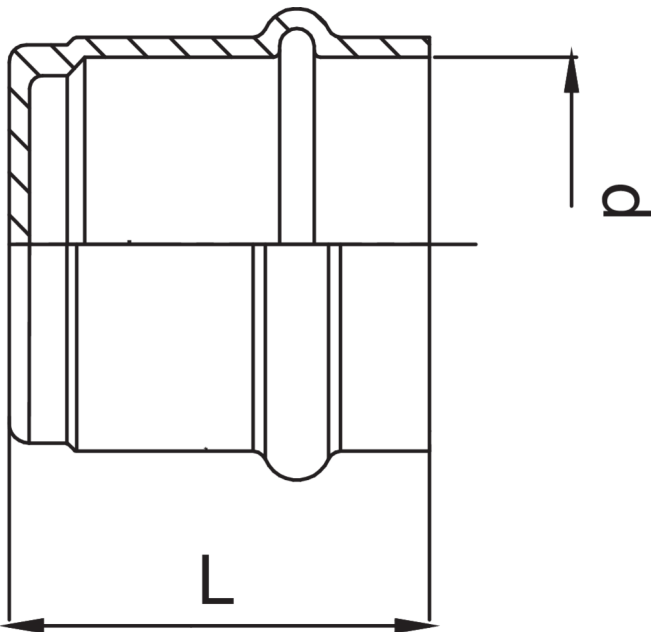




Technical specifications



| D | BAG | MASTER BOX | CODE | L |
|----|-----|------------|-----------------|----|
| 12 | 10 | 100 | RS9301012000000 | 21 |
| 15 | 10 | 400 | RS9301015000000 | 25 |
| 18 | 10 | 300 | RS9301018000000 | 26 |
| 22 | 10 | 200 | RS9301022000000 | 27 |
| 28 | 10 | 100 | RS9301028000000 | 28 |
| 35 | 5 | 70 | RS9301035000000 | 30 |
| 42 | 5 | 40 | RS9301042000000 | 40 |
| 54 | 5 | 30 | RS9301054000000 | 45 |

The big-size, item RR9301, is available.

Applications



DRINKING
WATER



HEATING



HVAC



GAS



COMPRESSED
AIR



FIREFIGHTING