



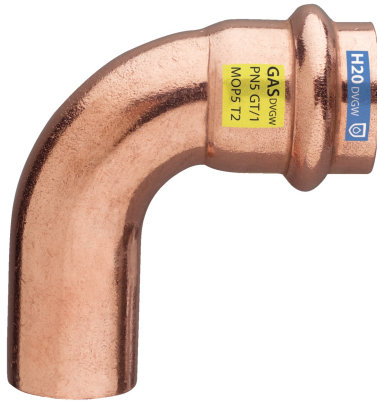
FRABO

frabo
press
KOMBI

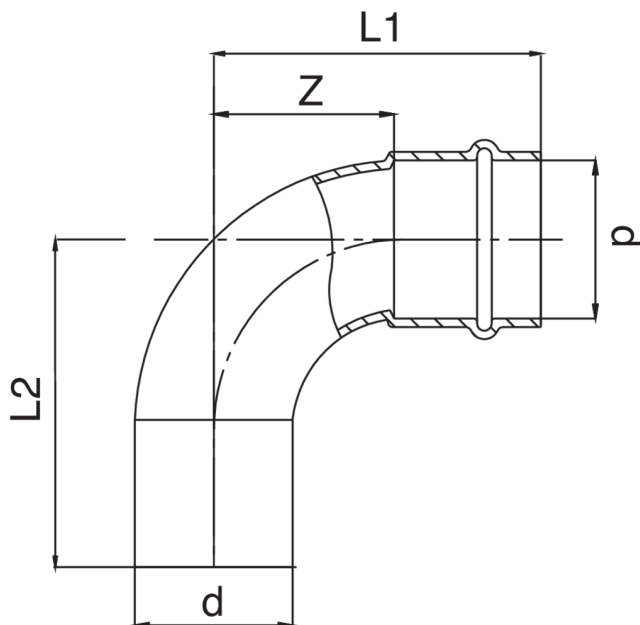
RS9001

PATENTED

Copper M/F 90° elbow.



Technical specifications



D	BAG	MASTER BOX	CODE	L1	L2	Z
12	10	300	RS9001012012000	33	34	15
15	10	200	RS9001015015000	40	42	18
18	10	150	RS9001018018000	45	47	22
22	10	80	RS9001022022000	51	52	27
28	5	40	RS9001028028000	59	61	34
35	5	30	RS9001035035000	68	70	42
42	1	10	RS9001042042000	87	88	51
54	1	7	RS9001054054000	105	107	65

The big-size, item RR9001, is available.

Applications



DRINKING
WATER



HEATING



HVAC



GAS



COMPRESSED
AIR



FIREFIGHTING