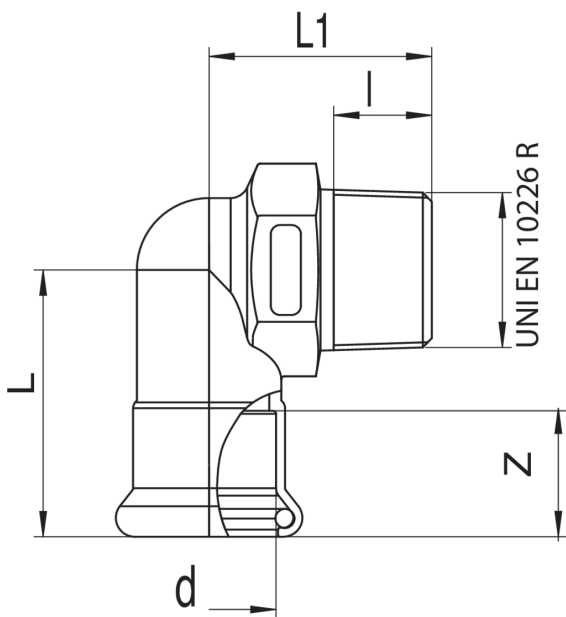




90° male angle adaptor.

NEW

Technical specifications



D1	BAG	MASTER BOX	CODE	A	B	ZA	ZB
15 x 1/2"	10	200	GMF92QA12015000	40	35,5	19	15
18 x 1/2"	10	150	GMF92QA12018000	40	35,5	19,5	15
22 x 3/4"	5	100	GMF92QA34022000	44,5	37	21	16,3
28 x 1"	5	50	GMF92QB01028000	50	48	22	19,1
35 x 1"1/4	5	40	GMF92QB14035000	60	48	27	21,4

Applications



GAS



COMPRESSED
AIR



INDUSTRIAL