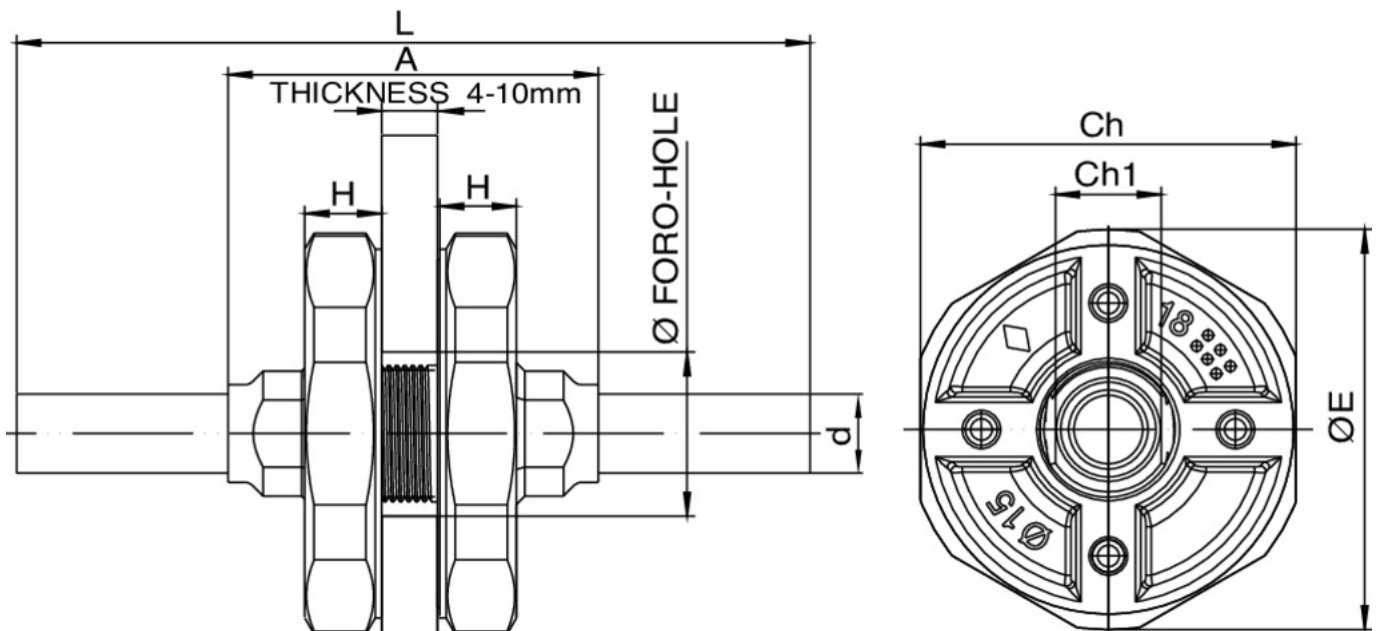


Deck/bulkhead watertight and fireproof pipe penetration class A30/60.

## Technical specifications



| D   | MASTER BOX | CODE            | A  | ØE  | CH  | CH1 | H  | L   | PN | Ø HOLE |
|-----|------------|-----------------|----|-----|-----|-----|----|-----|----|--------|
| 76  | 2          | AX0381076076000 | 84 | 148 | 139 | 82  | 19 | 805 | 16 | 91     |
| 88  | 2          | AX0381089089000 | 86 | 161 | 152 | 95  | 20 | 820 | 16 | 104    |
| 108 | 2          | AX0381108108000 | 88 | 180 | 171 | 114 | 21 | 850 | 16 | 123    |

For the insulation, please refer to technical manual or contact our sales department.

## Applications



DRINKING  
WATER



HEATING



HVAC



COMPRESSED  
AIR



FIREFIGHTING



MARINE



STEAM



SOLAR



INDUSTRIAL

