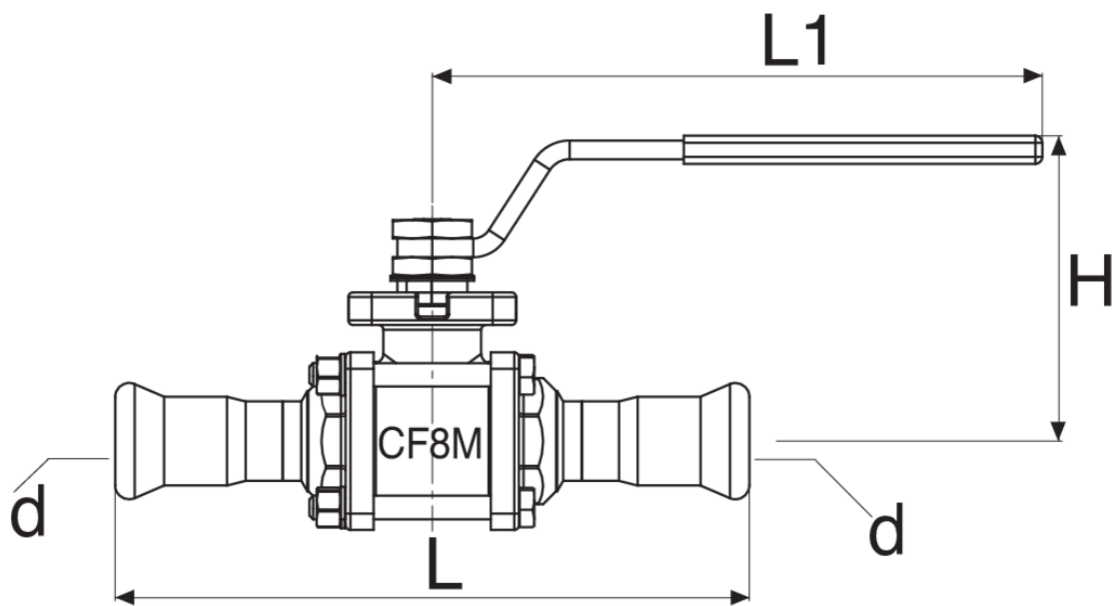




3 piece ball valve in stainless steel AISI 316-CF8M.



## Technical specifications



D	BAG	MASTER BOX	CODE	L	H	L1
15	6	24	52900015	116	64	131
18	6	24	52900018	137	68,5	131
22	3	12	52900022	156	78	174
28	2	4	52900028	184	82,5	174
35	2	4	52900035	198	100	250,5
42	2	2	52900042	230	107	250,5
54	2	2	52900054	295	126	321
76,1	-	1	52900076	346	137,5	321
88,9	-	1	52900088	415	156,5	381,5
108	-	1	529000108	385	156,5	381,5

# Applications



DRINKING WATER



HEATING



HVAC



COMPRESSED AIR



FIREFIGHTING



MARINE



STEAM



SOLAR



INDUSTRIAL