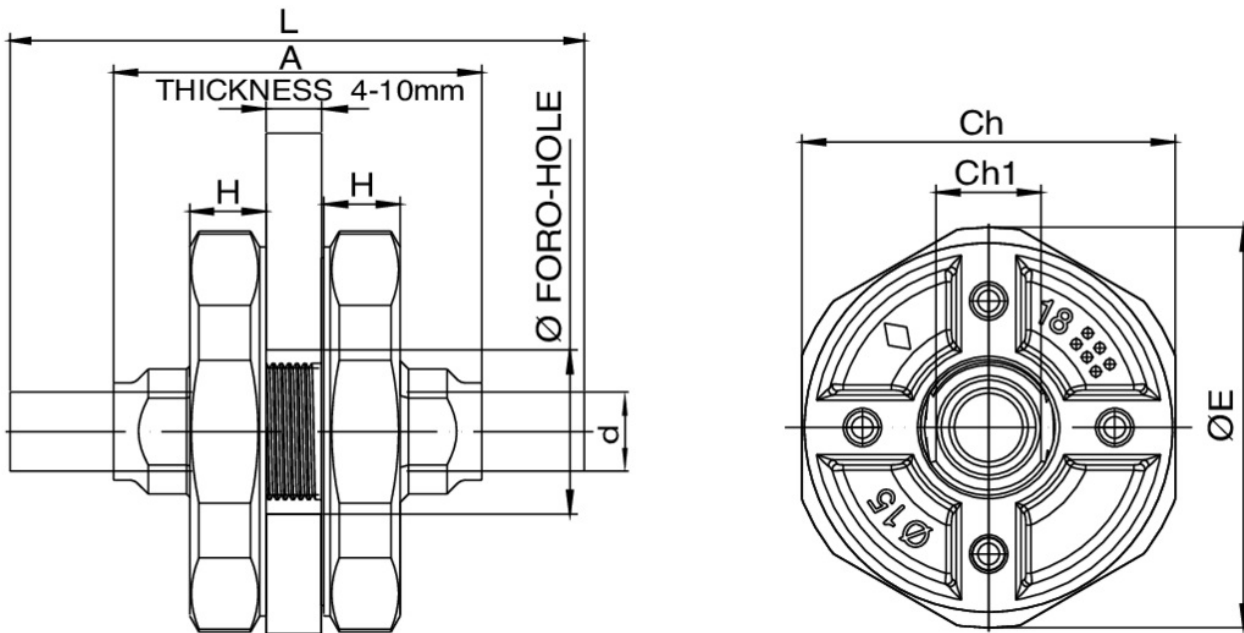


Deck/bulkhead watertight and fireproof pipe penetration class A0.

Technical specifications



D	MASTER BOX	CODE	A	ØE	CH	CH1	H	L	PN	Ø HOLE
76	2	AX0380076076000	84	148	139	82	19	290	16	91
88	4	AX0380089089000	86	161	152	95	20	305	16	104
108	4	AX0380108108000	88	180	171	114	21	340	16	123

For the insulation, please refer to technical manual or contact our sales department.

Applications



DRINKING
WATER



HEATING



HVAC



COMPRESSED
AIR



FIREFIGHTING



MARINE



STEAM



SOLAR



INDUSTRIAL

