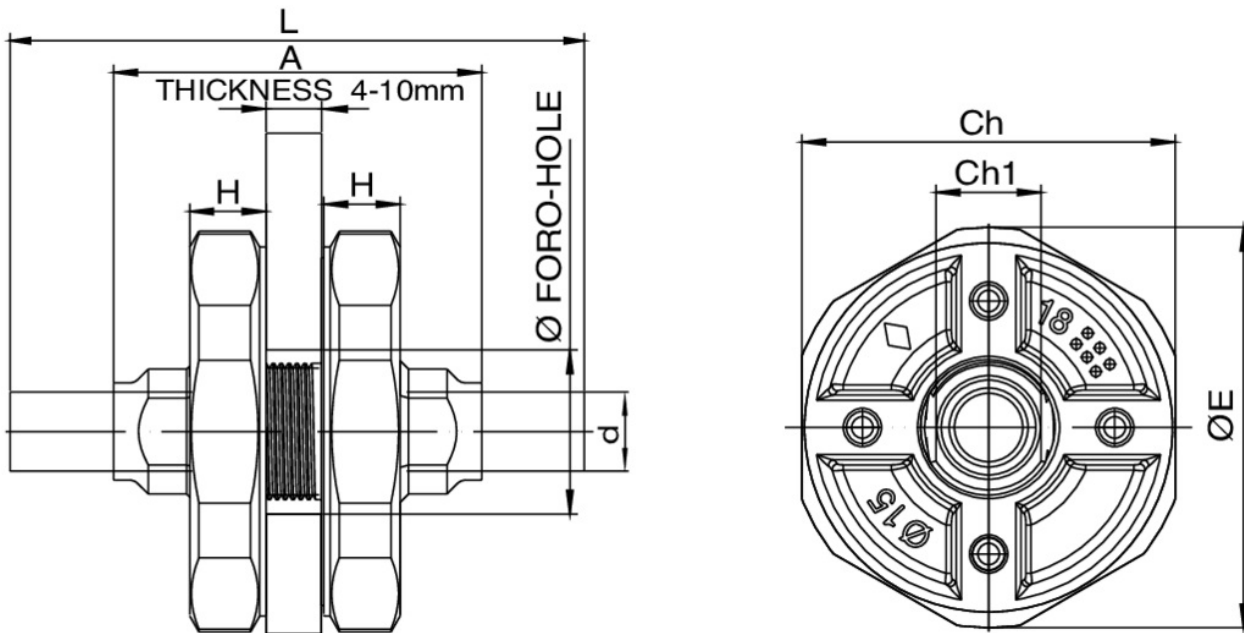


Deck/bulkhead watertight and fireproof pipe penetration class A0.

Technical specifications



D	BOX	MASTER BOX	CODE	A	ØE	CH	CH1	H	L	PN	Ø HOLE
15	2	12	MX0380015015000	70	76	71	20	14,5	150	16	29
22	2	12	MX0380022022000	75	84	79	26,5	15	155	16	36
28	1	4	MX0380028028000	77	93	87	33	15,5	160	16	42
35	1	4	MX0380035035000	80	100	94	40	16	170	16	49
42	1	4	MX0380042042000	81	108	101	47	16,5	175	16	56
54	1	2	MX0380054054000	82	126	117	60	18	190	16	69

For the insulation, please refer to technical manual or contact our sales department.

Applications



DRINKING WATER



HEATING



HVAC



COMPRESSED AIR



FIREFIGHTING



MARINE



STEAM



SOLAR



INDUSTRIAL