

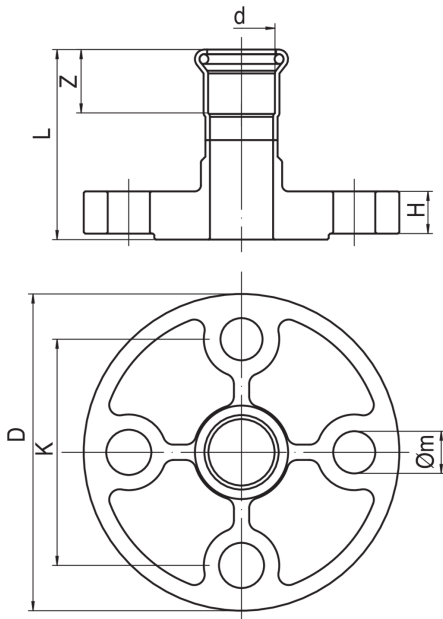


Flanged joint PN6.

NEW



Technical specifications



DN	BAG	MASTER BOX	CODE	D	L	H	Z	D	K	M	N° HOLES
10	5	40	MX0274015000000	15	54,5	10	19	80	55	11	4
15	5	40	MX0274018000000	18	56,5	10	19,5	80	55	11	4
20	5	40	MX0274022000000	22	61,5	12	21	90	65	11	4
25	2	20	MX0274028000000	28	63	12	22	100	75	11	4
32	2	40	MX0274035000000	35	70	12	27	120	90	14	4
40	2	30	MX0274042000000	42	72	12	30	130	100	14	4
50	2	20	MX0274054000000	54	78	12	35	140	110	14	4

Applications



DRINKING
WATER



HEATING



HVAC



COMPRESSED
AIR



FIREFIGHTING



MARINE



STEAM



SOLAR



INDUSTRIAL