



FRABO

frabo
press
316 M
MX0048

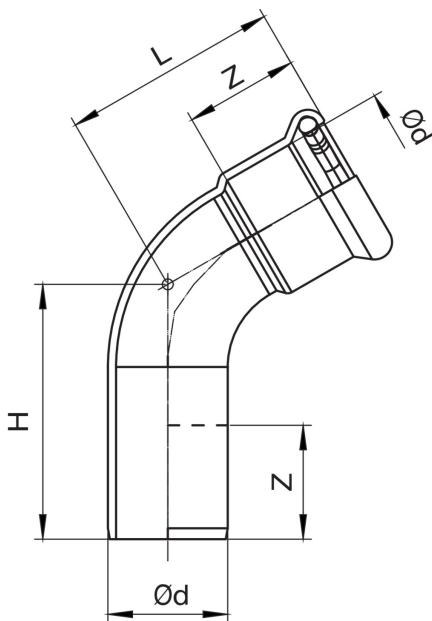


M/F 60° elbow.

NEW



Technical specifications



| D | BAG | MASTER BOX | CODE | L | H | Z |
|----|-----|------------|-----------------|-------|------|------|
| 15 | 10 | 250 | MX0048015015000 | 34 | 40,5 | 19 |
| 18 | 10 | 250 | MX0048018018000 | 36 | 42,5 | 19,5 |
| 22 | 5 | 120 | MX0048022022000 | 42,5 | 49,5 | 21 |
| 28 | 5 | 60 | MX0048028028000 | 46,5 | 54 | 22 |
| 35 | 5 | 50 | MX0048035035000 | 69 | 75,5 | 27 |
| 42 | 2 | 24 | MX0048042042000 | 88,5 | 95 | 30 |
| 54 | 2 | 16 | MX0048054054000 | 112,5 | 119 | 35 |

Applications



DRINKING
WATER



HEATING



HVAC



COMPRESSED
AIR



FIREFIGHTING



MARINE



STEAM



SOLAR



INDUSTRIAL