



**FRABO**

**frabo**  
**press**  
316 M  
**AX0042**

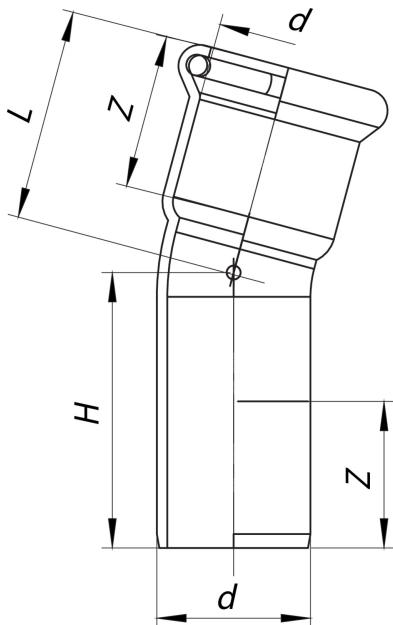


M/F 15° elbow.

**NEW**



## Technical specifications



D	BAG	MASTER BOX	CODE	L	H	Z
76,1	1	6	AX0042076076000	75,5	83,5	54
88,9	1	6	AX0042089089000	86	94	61
108	1	3	AX0042108108000	109,3	117,3	76

## Applications



DRINKING  
WATER



HEATING



HVAC



COMPRESSED  
AIR



FIREFIGHTING



MARINE



STEAM



SOLAR



INDUSTRIAL