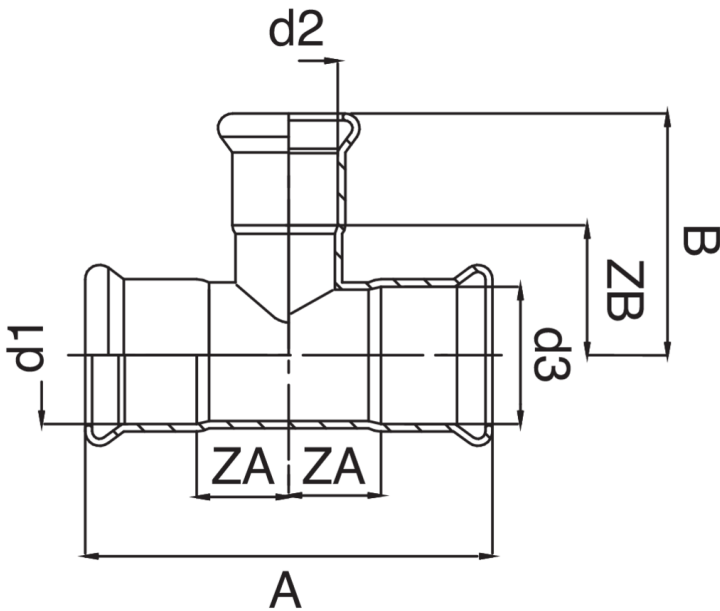


F/F/F reducing tee.



## Technical specifications



D1 X D2 X D3	BAG	MASTER BOX	CODE	A	B	ZA	ZB
88,9 x 76,1 x 88,9	1	3	AX0131089076089	272	128	76	73
108 x 76,1 x 108	1	2	AX0131108076108	324	137,5	92	82,5
108 x 88,9 x 108	1	2	AX0131108089108	324	142,5	92	82,5

# Applications



DRINKING WATER



HEATING



HVAC



COMPRESSED AIR



FIREFIGHTING



MARINE



STEAM



SOLAR



INDUSTRIAL