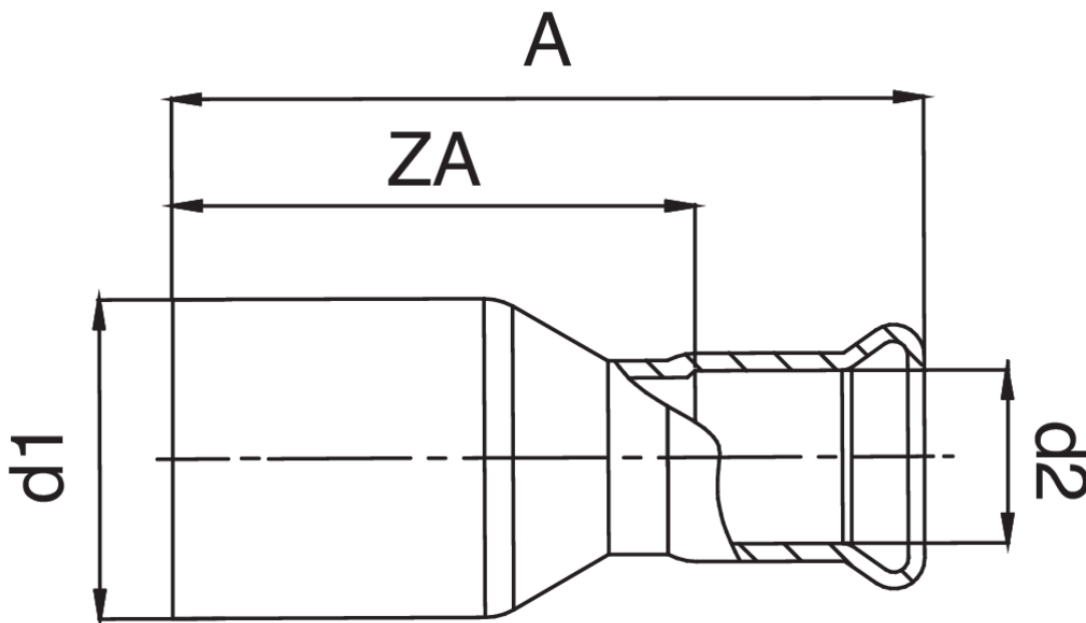




M/F reducer.



## Technical specifications



D1 X D2	BAG	MASTER BOX	CODE	A	ZA
66,7 x 28	1	15	ACM243067028000	-	-
66,7 x 35	1	15	ACM243067035000	-	-
66,7 x 42	1	15	ACM243067042000	-	-
66,7 x 54	1	15	ACM243067054000	-	-
76,1 x 54	1	5	ACM243076054000	140	103
88,9 x 54	1	16	ACM243089054000	156	119
108 x 54	1	8	ACM243108054000	204	167

# Applications



HEATING



HVAC



COMPRESSED  
AIR