

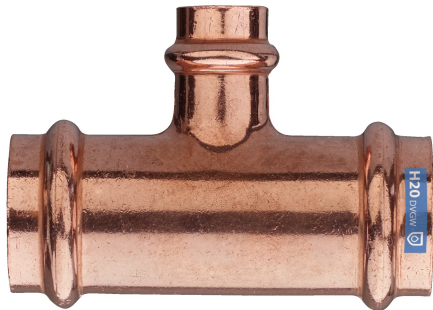


FRABO

frabo
press
V

RZ9131

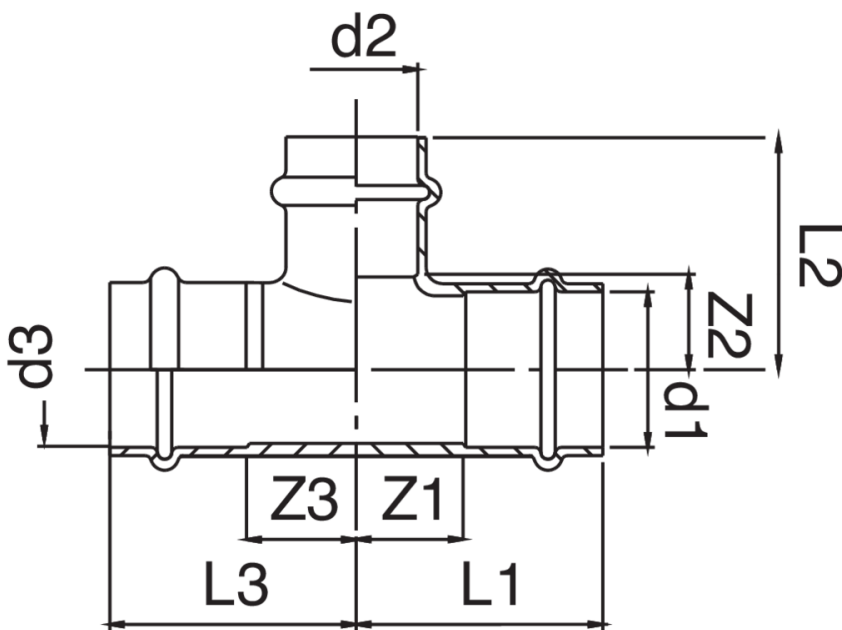
PATENTED



Copper F/F/F reducing tee.



Technical specifications



| D1 X D2 X D3 | BAG | MASTER BOX | CODE | L1 | L2 | L3 | Z1 | Z2 | Z3 |
|--------------|-----|------------|-----------------|----|----|----|----|----|----|
| 12 x 15 x 12 | 10 | 100 | RZ9131012015012 | 38 | 32 | 38 | 20 | 10 | 20 |
| 14 x 12 x 14 | 10 | 100 | RZ9131014012014 | 39 | 29 | 39 | 17 | 11 | 17 |
| 15 x 12 x 12 | 10 | 100 | RZ9131015012012 | 39 | 30 | 39 | 17 | 12 | 21 |
| 15 x 12 x 15 | 10 | 100 | RZ9131015012015 | 39 | 30 | 39 | 17 | 12 | 17 |
| 15 x 15 x 12 | 5 | 70 | RZ9131015015012 | 41 | 33 | 41 | 19 | 11 | 19 |
| 15 x 18 x 15 | 5 | 80 | RZ9131015018015 | 42 | 35 | 42 | 20 | 12 | 20 |
| 15 x 22 x 15 | 5 | 50 | RZ9131015022015 | 45 | 38 | 45 | 23 | 14 | 23 |
| 16 x 14 x 16 | 10 | 100 | RZ9131016014016 | 39 | 32 | 39 | 17 | 10 | 17 |
| 18 x 12 x 15 | 5 | 50 | RZ9131018012015 | 39 | 32 | 93 | 16 | 13 | 16 |
| 18 x 12 x 18 | 10 | 80 | RZ9131018012018 | 39 | 31 | 39 | 16 | 13 | 16 |
| 18 x 15 x 15 | 10 | 80 | RZ9131018015015 | 41 | 35 | 45 | 18 | 13 | 23 |
| 18 x 15 x 18 | 10 | 80 | RZ9131018015018 | 41 | 35 | 41 | 18 | 13 | 18 |
| 18 x 18 x 15 | 10 | 80 | RZ9131018018015 | 42 | 35 | 47 | 19 | 12 | 25 |
| 18 x 22 x 18 | 5 | 50 | RZ9131018022018 | 45 | 36 | 45 | 22 | 12 | 22 |
| 22 x 12 x 22 | 5 | 60 | RZ9131022012022 | 39 | 33 | 39 | 15 | 15 | 15 |
| 22 x 15 x 15 | 5 | 50 | RZ9131022015015 | 41 | 37 | 47 | 17 | 15 | 25 |
| 22 x 15 x 18 | 5 | 50 | RZ9131022015018 | 41 | 37 | 44 | 17 | 15 | 21 |
| 22 x 15 x 22 | 5 | 50 | RZ9131022015022 | 41 | 37 | 41 | 17 | 15 | 17 |
| 22 x 18 x 15 | 5 | 50 | RZ9131022018015 | 42 | 37 | 50 | 18 | 14 | 28 |
| 22 x 18 x 18 | 5 | 50 | RZ9131022018018 | 42 | 37 | 47 | 18 | 14 | 24 |
| 22 x 18 x 22 | 5 | 50 | RZ9131022018022 | 42 | 37 | 42 | 18 | 14 | 18 |
| 22 x 22 x 15 | 5 | 50 | RZ9131022022015 | 45 | 38 | 51 | 21 | 14 | 29 |
| 22 x 22 x 18 | 5 | 50 | RZ9131022022018 | 45 | 38 | 51 | 21 | 14 | 28 |
| 22 x 28 x 22 | 5 | 35 | RZ9131022028022 | 48 | 39 | 48 | 24 | 14 | 24 |
| 28 x 15 x 22 | 5 | 40 | RZ9131028015022 | 41 | 41 | 45 | 16 | 19 | 21 |
| 28 x 15 x 28 | 5 | 30 | RZ9131028015028 | 41 | 41 | 41 | 16 | 19 | 16 |
| 28 x 18 x 22 | 5 | 40 | RZ9131028018022 | 42 | 41 | 47 | 17 | 18 | 23 |
| 28 x 18 x 28 | 5 | 30 | RZ9131028018028 | 42 | 41 | 42 | 17 | 18 | 17 |
| 28 x 22 x 22 | 5 | 30 | RZ9131028022022 | 45 | 42 | 50 | 20 | 18 | 26 |
| 28 x 22 x 28 | 5 | 30 | RZ9131028022028 | 45 | 42 | 45 | 20 | 18 | 20 |
| 28 x 28 x 22 | 5 | 30 | RZ9131028028022 | 48 | 43 | 53 | 23 | 18 | 29 |
| 35 x 15 x 35 | 5 | 25 | RZ9131035015035 | 44 | 44 | 44 | 18 | 22 | 18 |
| 35 x 18 x 35 | 5 | 25 | RZ9131035018035 | 44 | 44 | 44 | 18 | 21 | 18 |
| 35 x 22 x 28 | 5 | 25 | RZ9131035022028 | 46 | 45 | 52 | 20 | 21 | 27 |
| 35 x 22 x 35 | 5 | 20 | RZ9131035022035 | 46 | 45 | 46 | 20 | 21 | 20 |
| 35 x 28 x 28 | 5 | 20 | RZ9131035028028 | 49 | 46 | 55 | 23 | 21 | 30 |
| 35 x 28 x 35 | 5 | 20 | RZ9131035028035 | 49 | 46 | 49 | 23 | 21 | 23 |
| 35 x 35 x 22 | 5 | 20 | RZ9131035035022 | 52 | 50 | 62 | 26 | 24 | 38 |
| 35 x 35 x 28 | 5 | 20 | RZ9131035035028 | 52 | 50 | 59 | 26 | 24 | 34 |
| 42 x 22 x 42 | 1 | 15 | RZ9131042022042 | 53 | 52 | 53 | 17 | 28 | 17 |
| 42 x 28 x 42 | 1 | 10 | RZ9131042028042 | 55 | 53 | 55 | 19 | 28 | 19 |
| 42 x 35 x 42 | 1 | 10 | RZ9131042035042 | 58 | 55 | 58 | 22 | 29 | 22 |
| 54 x 22 x 54 | 1 | 10 | RZ9131054022054 | 60 | 58 | 60 | 20 | 34 | 20 |
| 54 x 28 x 54 | 1 | 10 | RZ9131054028054 | 63 | 59 | 63 | 23 | 34 | 23 |
| 54 x 35 x 54 | 1 | 10 | RZ9131054035054 | 68 | 61 | 68 | 28 | 35 | 28 |
| 54 x 42 x 54 | 1 | 10 | RZ9131054042054 | 69 | 71 | 69 | 29 | 35 | 29 |

The big-sizes, items RR9131 and ZM9131, are available.

Applications



DRINKING
WATER



HEATING



HVAC



COMPRESSED
AIR



FIREFIGHTING