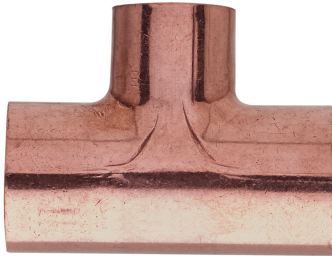
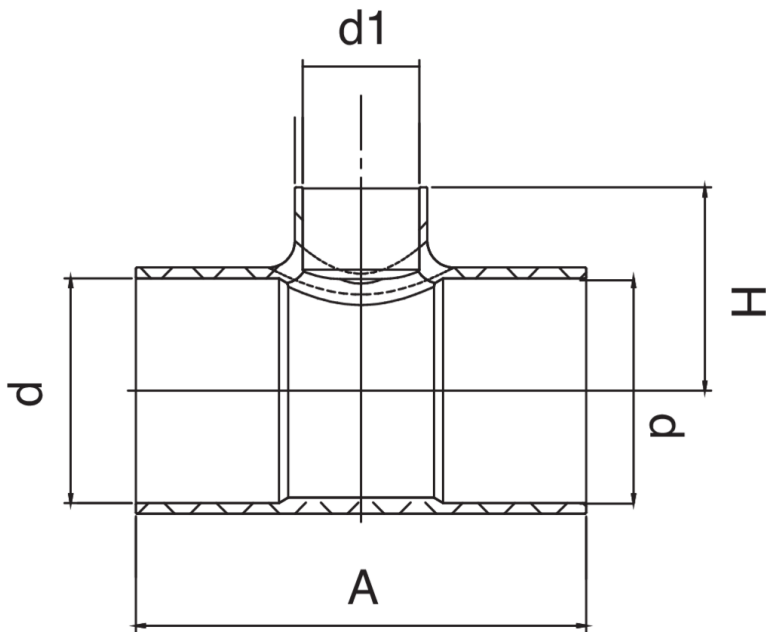


FR5130

F/F/F side reduced tee.



Technical specifications



D X D1 X D	BAG	MASTER BOX	CODE	A	H
3/8" x 1/4" x 3/8"	10	500	FR5130A38A14A38	32	16
3/4" x 5/8" x 3/4"	10	100	FR5130A34A58A34	47,3	21,5
1"1/8 x 7/8" x 1"1/8	5	25	FR5130B18A78B18	72	35
1"5/8 x 2"1/8 x 1"5/8	1	2	FR5130B58C18B58	82	41,5
2"1/8 x 2"5/8 x 2"1/8	1	10	FR5130C18C58C18	148	71,5

Applications



REFRIGERATION

