



**FRABO**

**frabo**  
**press**  
316 M  
**AX0243**

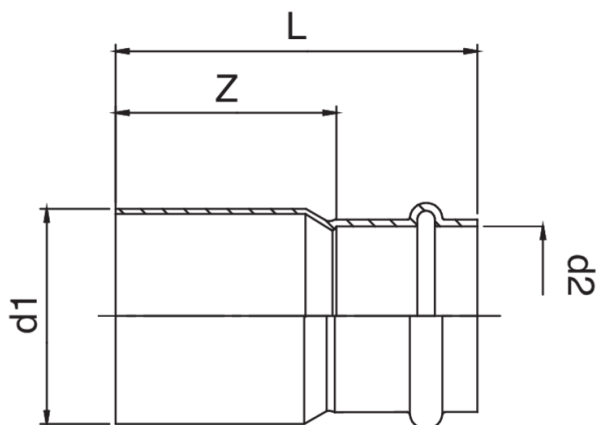
**PATENTED**



M/F reducer.



## Technical specifications



D1 X D2	BAG	MASTER BOX	CODE	L	Z
76.1 x 42*	1	10	AX0243076042000	149,5	108,5
76.1 x 54*	1	10	AX0243076054000	152,5	107,5
88.9 x 54*	1	4	AX0243089054000	194	149
108 x 54*	1	6	AX0243108054000	260	215

\* V profile.

# Applications



DRINKING WATER



HEATING



HVAC



COMPRESSED AIR



FIREFIGHTING



MARINE



STEAM



SOLAR



INDUSTRIAL