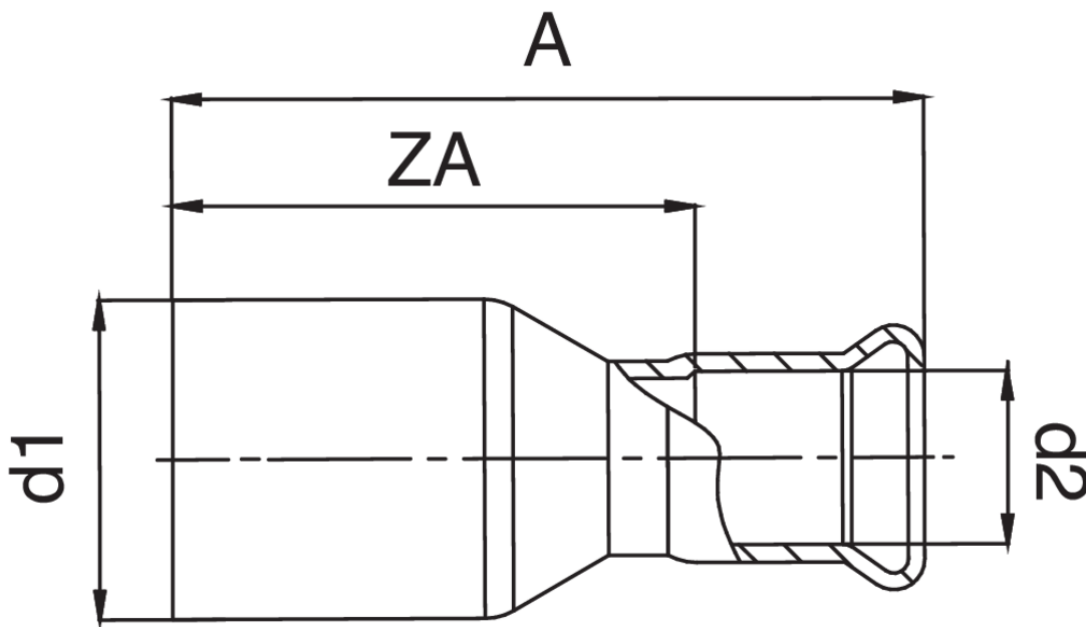




Reduzierstück I/A.



Technische Spezifikationen



| D1 X D2 | BAG | MASTER BOX | CODE | A | ZA |
|-----------|-----|------------|-----------------|-----|-----|
| 76,1 x 54 | 1 | 10 | AMX243076054000 | 140 | 103 |
| 88,9 x 54 | 1 | 4 | AMX243089054000 | 154 | 119 |
| 108 x 54 | 1 | 6 | AMX243108054000 | 204 | 167 |

Anwendungen



DRINKING WATER



HEATING



HVAC



COMPRESSED AIR



FIREFIGHTING



MARINE



STEAM



SOLAR



INDUSTRIAL