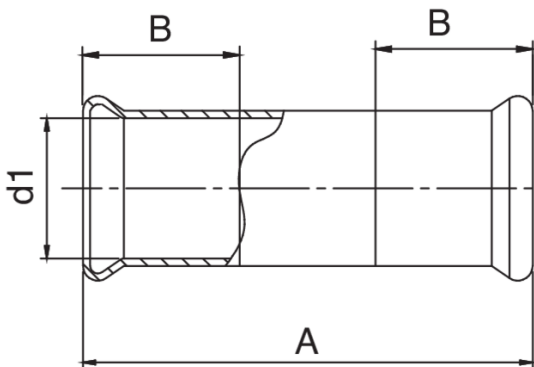


Schiebemuffe I/I.



Technische Spezifikationen



| D1 | BAG | MASTER BOX | CODE | A |
|------|-----|------------|-----------------|-----|
| 76,1 | 1 | 5 | AX0271076076000 | 242 |
| 88,9 | 1 | 1 | AX0271089089000 | 272 |
| 108 | 1 | 3 | AX0271108108000 | 324 |

Anwendungen



DRINKING WATER



HEATING



HVAC



COMPRESSED AIR



FIREFIGHTING



MARINE



STEAM



SOLAR



INDUSTRIAL