



FRABO

frabo
press
316 M
AX0041

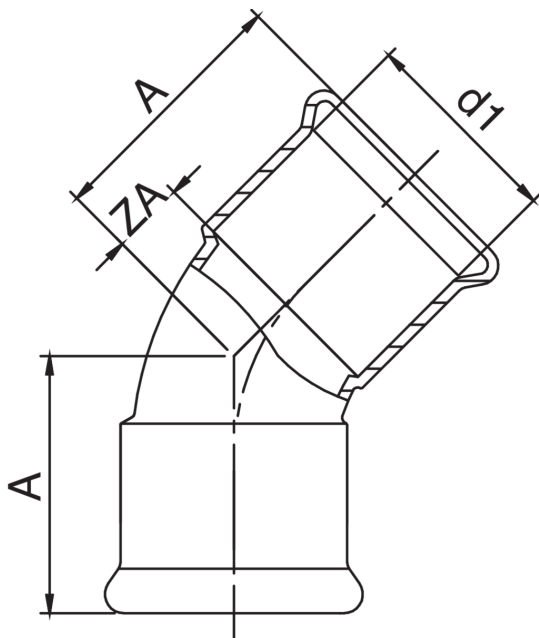
PATENTED



Bogen 45° l/l.



Technische Spezifikationen



D1	BAG	MASTER BOX	CODE	A	ZA
76,1	1	5	AX0041076076000	98	43
88,9	1	6	AX0041089089000	112	49
108	1	2	AX0041108108000	138	61

Anwendungen



DRINKING WATER



HEATING



HVAC



COMPRESSED AIR



FIREFIGHTING



MARINE



STEAM



SOLAR



INDUSTRIAL