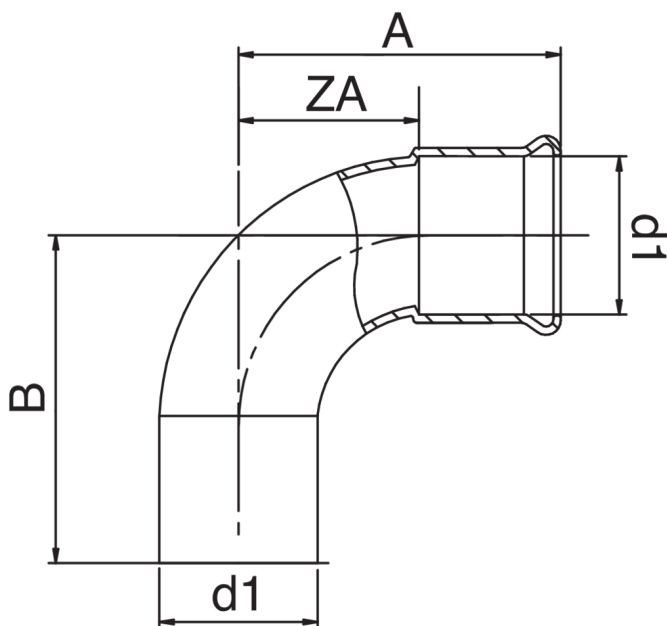




Bogen 90° I/A.



Technische Spezifikationen



D1	BAG	MASTER BOX	CODE	A	B	ZA
76,1	1	5	AX0001076076000	148	154	93
88,9	1	4	AX0001089089000	174	190	111
108	1	2	AX0001108108000	215	238	138

Anwendungen



DRINKING
WATER



HEATING



HVAC



COMPRESSED
AIR



FIREFIGHTING



MARINE



STEAM



SOLAR



INDUSTRIAL